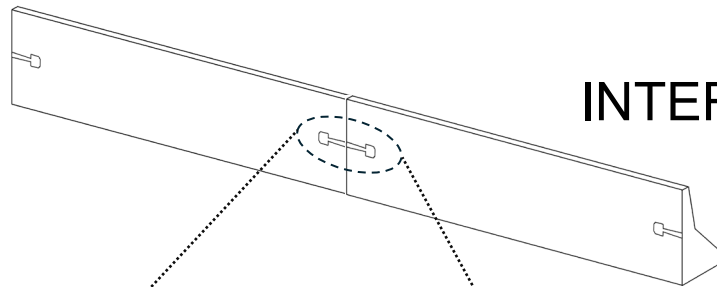
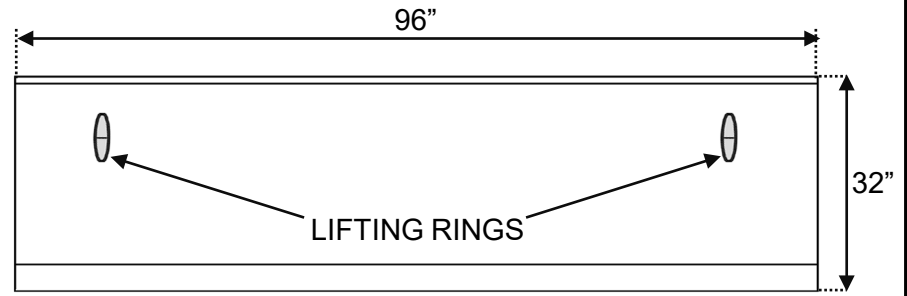
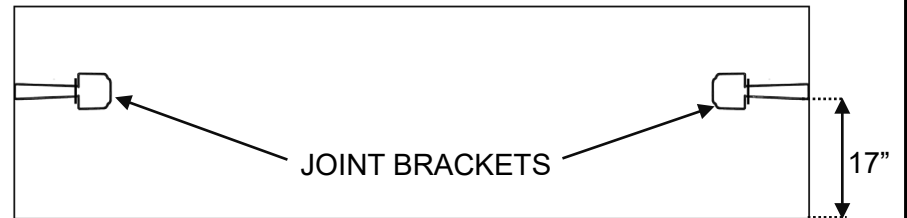


**EXTERIOR FACE**

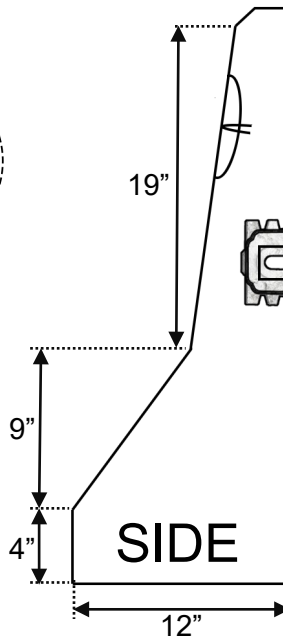
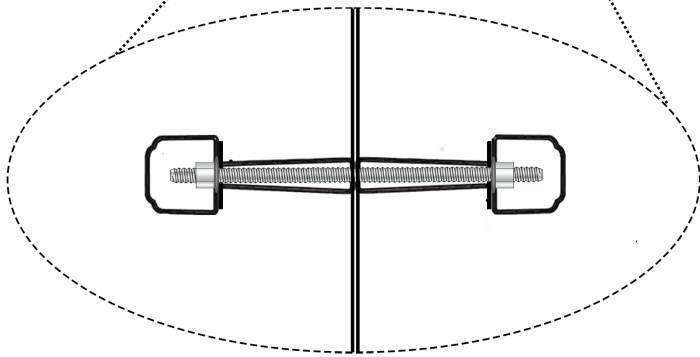
\*Shown assembled




**INTERIOR FACE**



**JOINT DETAIL**



USI ITEM #:	<b>ST-SFW</b>	 <p><b>UNDERGROUND SUPPLY INC.</b> 82 STATE RD. WHATELY, MA 01093 413-397-3412 undergroundsupplyinc.com</p>
ITEM DESCRIPTION:	<b>PRECAST SAND FILTER WALL</b>	
CASTING WEIGHT(S):	<b>1,800 #</b>	