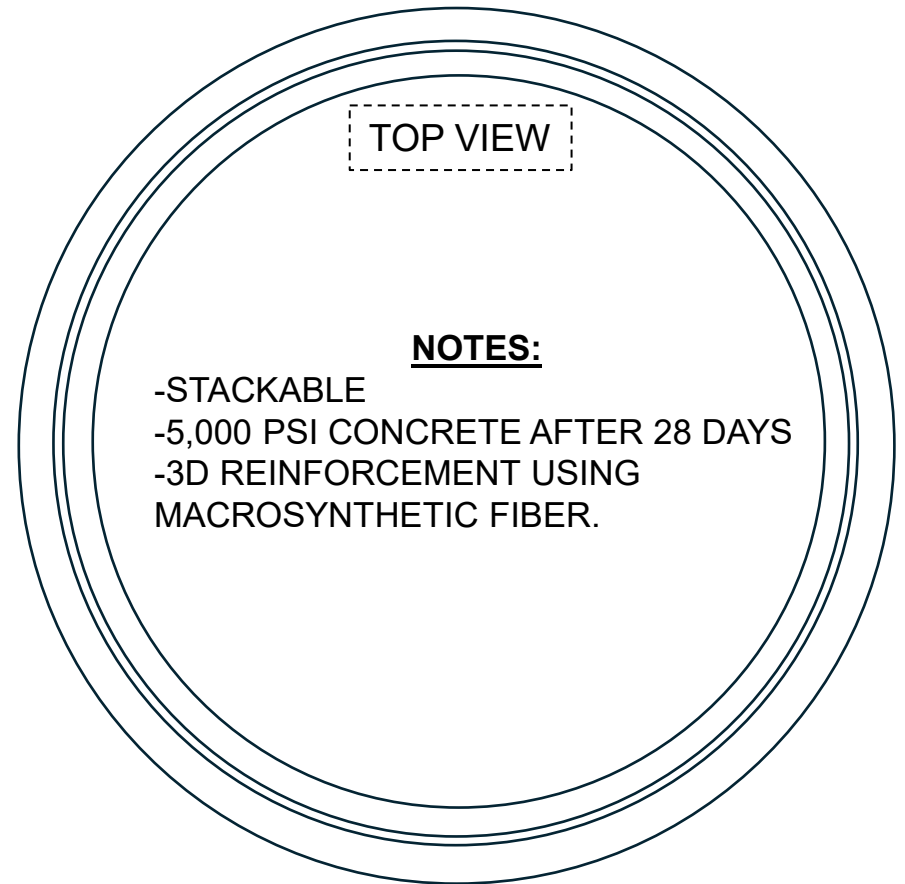
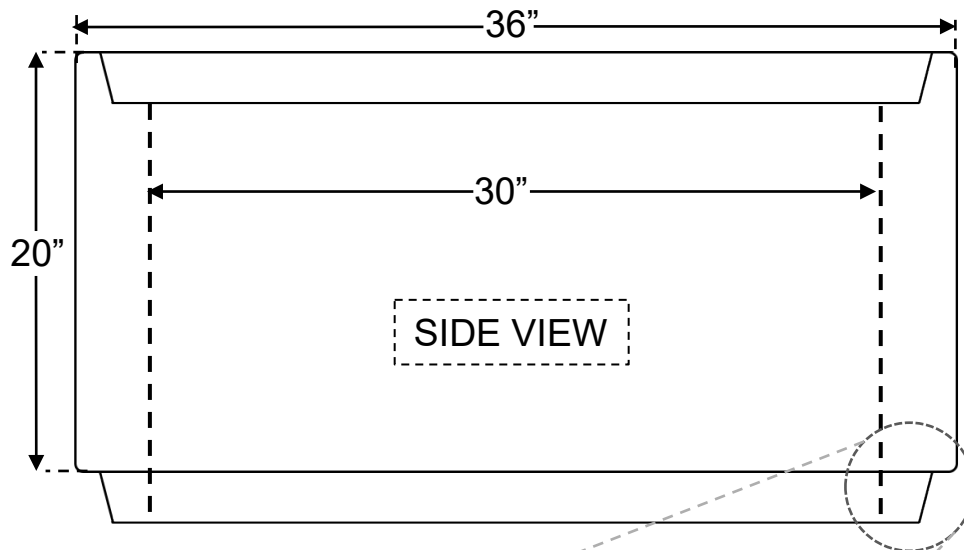
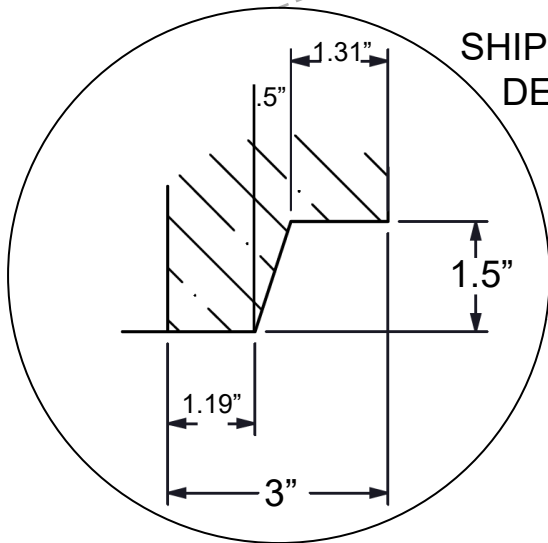


USI 30" (I.D.) CONCRETE RISER



NOTES:

- STACKABLE
- 5,000 PSI CONCRETE AFTER 28 DAYS
- 3D REINFORCEMENT USING MACROSYNTHETIC FIBER.



USI ITEM #:

ST30R

ITEM DESCRIPTION:

30" (I.D.) CONCRETE RISER

CASTING WEIGHT(S):

540 #

USI

UNDERGROUND SUPPLY INC.

82 STATE RD.

WHATELY, MA 01093

413-397-3412

undergroundsupplyinc.com