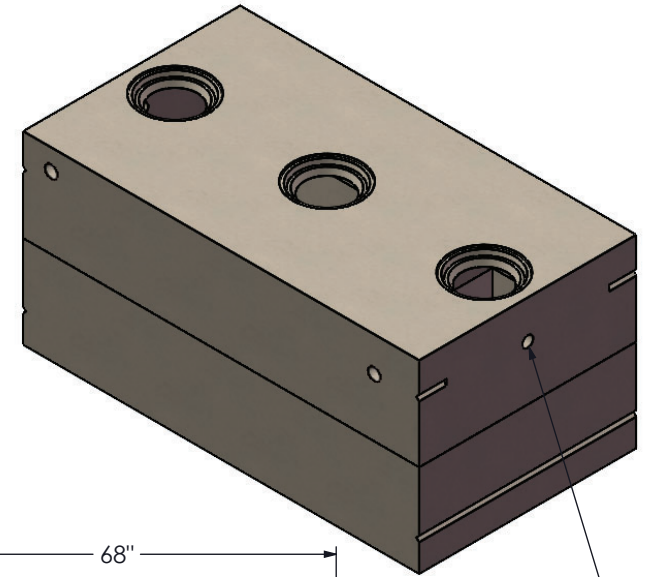
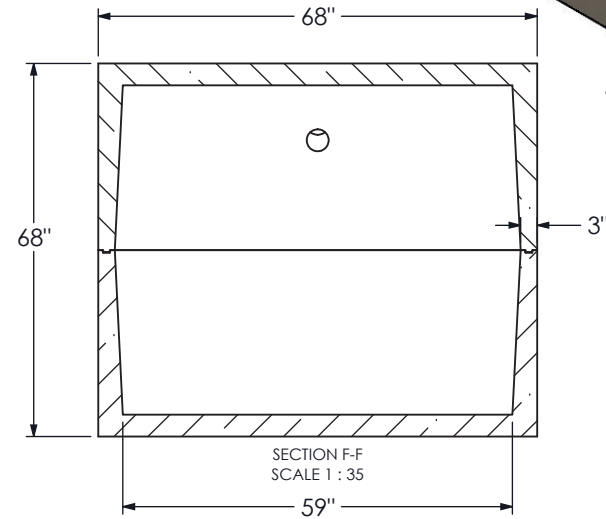
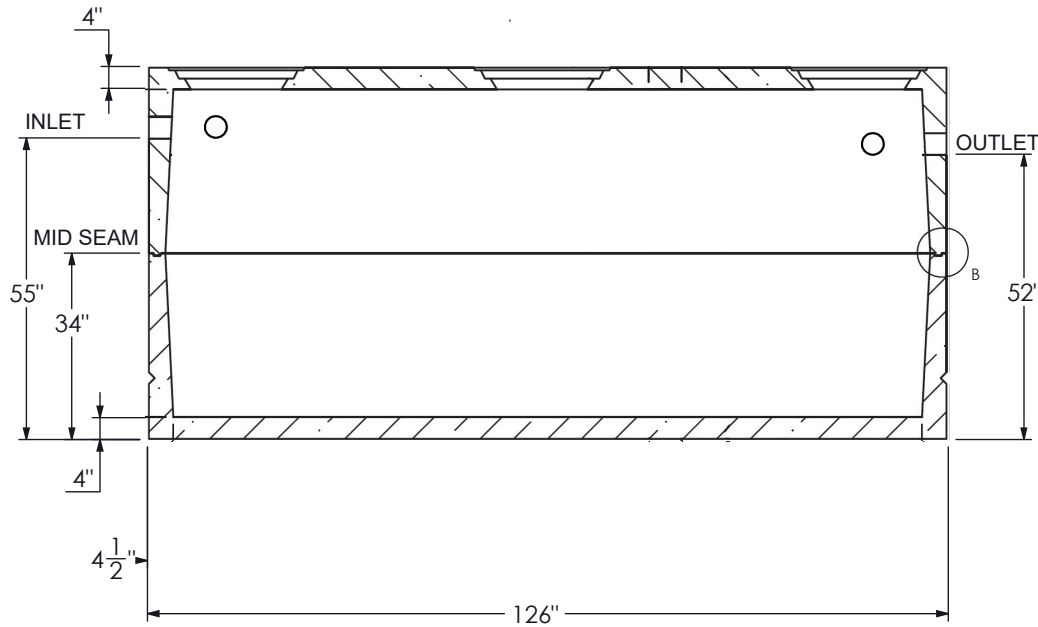


20" (I.D.) OPENINGS
WITH CONCRETE
COVERS INCLUDED

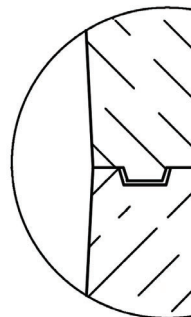
APPROX. CAPACITY: 1,500 GAL.



TUF-TITE SEALS



SECTION F-F
SCALE 1 : 35



TONGUE & GROOVE
CROSS-SECTION

1,500 GAL. SINGLE COMPARTMENT

USI
UNDERGROUND SUPPLY INC.
82 STATE RD. WHATELY, MA 01093
413-397-3412
UNDERGROUNDSUPPLYINC.COM

MOLD & DRAWING PRODUCED & ENGINEERED BY:
NORWALK
PRECAST MOLDS INC.
P.O. Box 293 Norwalk, OH 44857
(419) 668-1639 | (800) 251-8409
sales@norwalkprecastmolds.com
www.norwalkprecastmolds.com

THIS DRAWING IS THE PROPERTY OF NORWALK PRECAST MOLDS AND MAY NOT BE COPIED OR REPRODUCED IN WHOLE OR IN PART WITHOUT WRITTEN PERMISSION FROM NORWALK PRECAST MOLDS.

CASTING WEIGHTS - TOP - APPROX. 6,215# EA. - BOTTOM - APPROX. 6,215# EA. - TOTAL - 12,430# EA.			
DRAWN BY CWB	DATE 10/7/20		
DESCRIPTION: 1,500 GAL. 2 PIECE SEPTIC TANK		USI ITEM NUMBER: ST1500	