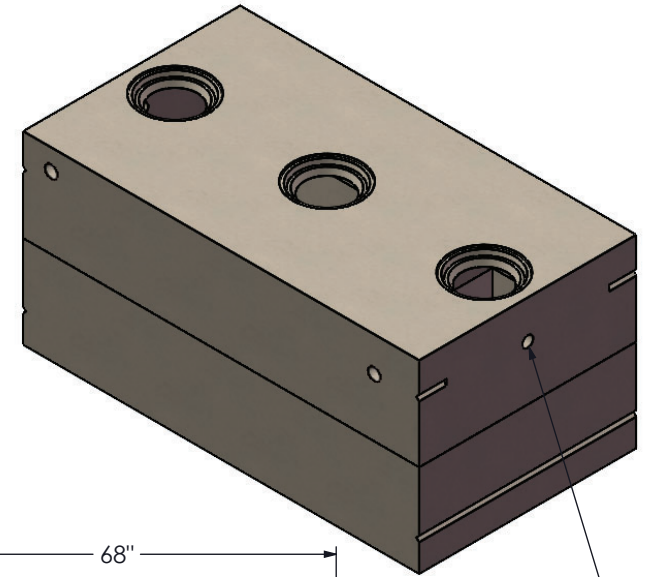
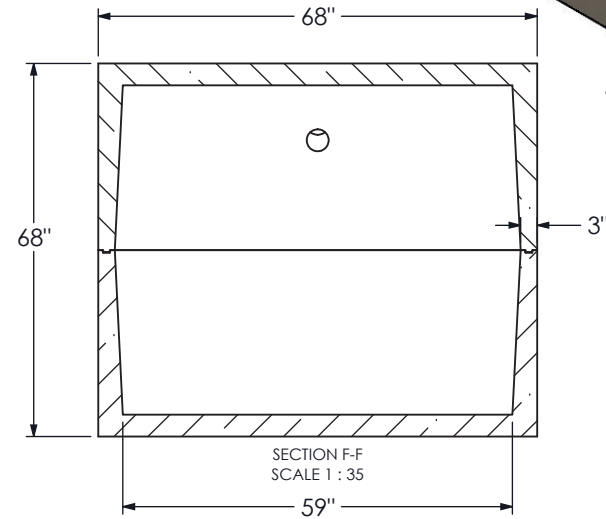
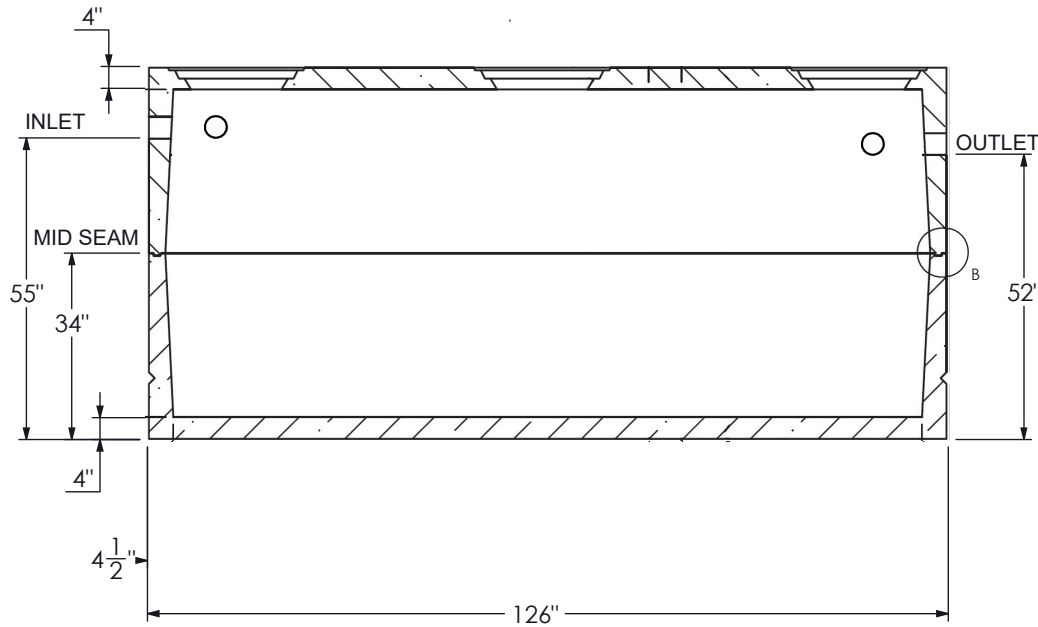


20" (I.D.) OPENINGS
WITH CONCRETE
COVERS INCLUDED

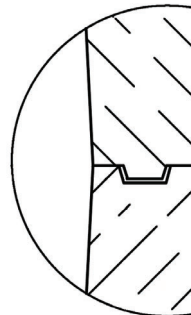
APPROX. CAPACITY: 1,500 GAL.



TUF-TITE SEALS



SECTION F-F
SCALE 1 : 35



TONGUE & GROOVE
CROSS-SECTION

1,500 GAL. SINGLE COMPARTMENT

USI
UNDERGROUND SUPPLY INC.
82 STATE RD. WHATELY, MA 01093
413-397-3412
UNDERGROUNDSUPPLYINC.COM

MOLD & DRAWING PRODUCED & ENGINEERED BY:
NORWALK
PRECAST MOLDS INC.
P.O. Box 293 Norwalk, OH 44857
(419) 668-1639 | (800) 251-8409
sales@norwalkprecastmolds.com
www.norwalkprecastmolds.com

THIS DRAWING IS THE PROPERTY OF NORWALK PRECAST MOLDS AND MAY NOT BE COPIED OR REPRODUCED IN WHOLE OR IN PART WITHOUT WRITTEN PERMISSION FROM NORWALK PRECAST MOLDS.

| | | | |
|---|------------------------|-----------------------------------|--|
| CASTING WEIGHTS - TOP - APPROX. 6,250# EA. - BOTTOM - APPROX. 6,350# EA. - TOTAL - 12,600# EA. | | | |
| DRAWN BY CWB | DATE 10/7/20 | | |
| DESCRIPTION: 1,500 GAL. 2 PIECE SEPTIC TANK | | USI ITEM NUMBER: ST1500 | |