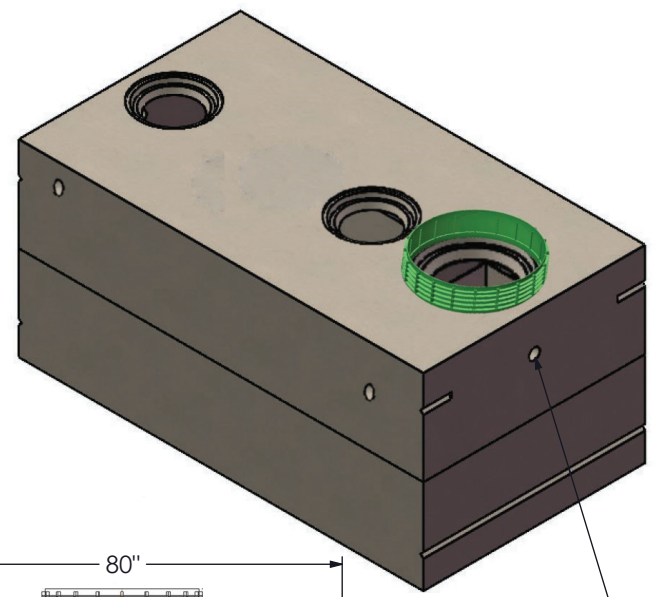
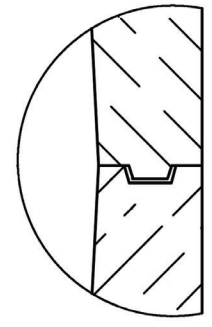
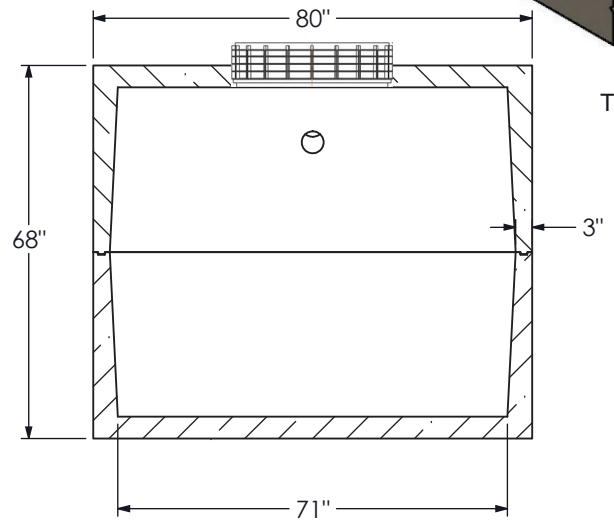
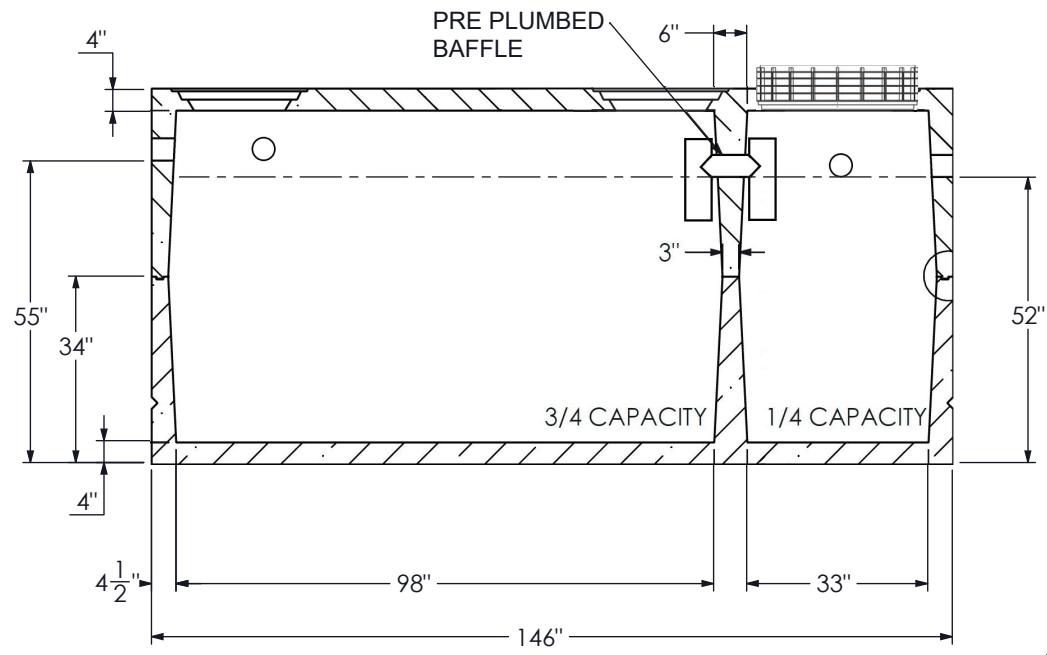


24" TUF-TITE RISER (CAST IN)



TUF-TITE SEALS



TONGUE & GROOVE CROSS SECTION

CONFIGURATION: 2,000 GAL. 1/4 3/4

**USI**  
**UNDERGROUND SUPPLY INC.**  
 82 STATE RD. WHATELY, MA 01093  
 413-397-3412  
 UNDERGROUNDSUPPLYINC.COM

MOLD & DRAWING PRODUCED & ENGINEERED BY:  
**NORWALK PRECAST MOLDS INC.**  
 P.O. Box 293 Norwalk, OH 44857  
 (419) 668-1639 | (800) 251-8409  
 sales@norwalkprecastmolds.com  
 www.norwalkprecastmolds.com

THIS DRAWING IS THE PROPERTY OF NORWALK PRECAST MOLDS AND MAY NOT BE COPIED OR REPRODUCED IN WHOLE OR IN PART WITHOUT WRITTEN PERMISSION FROM NORWALK PRECAST MOLDS.

CASTING WEIGHTS		3" MIN. AIR GAP ABOVE T
- TOP - APPROX. 8,835# EA.		
- BOTTOM - APPROX. 9,130# EA.		
- TOTAL - 17,965# EA.		
DRAWN BY	DATE	
CWB	10/7/20	
DESCRIPTION:	USI ITEM NUMBER:	
2,000 GAL. 2 PIECE COMBO TANK	ST1500/500	