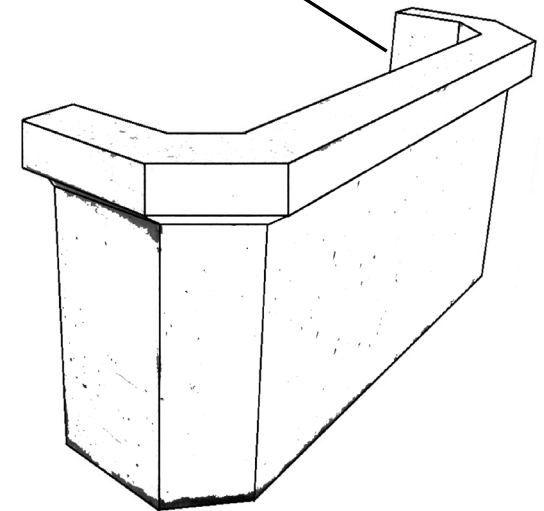



*CROSS SECTION AT POINT OF STRUCTURE CONTACT.



USI ITEM #:	ST-WW24	 <p>USI UNDERGROUND SUPPLY INC. 82 STATE RD. WHATELY, MA 01093 413-397-3412 undergroundsupplyinc.com</p>
ITEM DESCRIPTION:	24" PRECAST WINDOW WELL	
CASTING WEIGHT(S):	200 #	