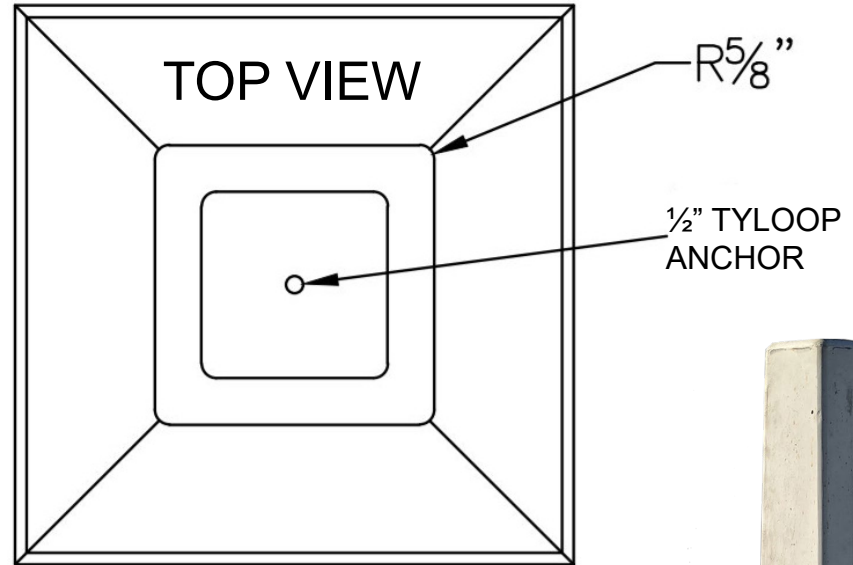
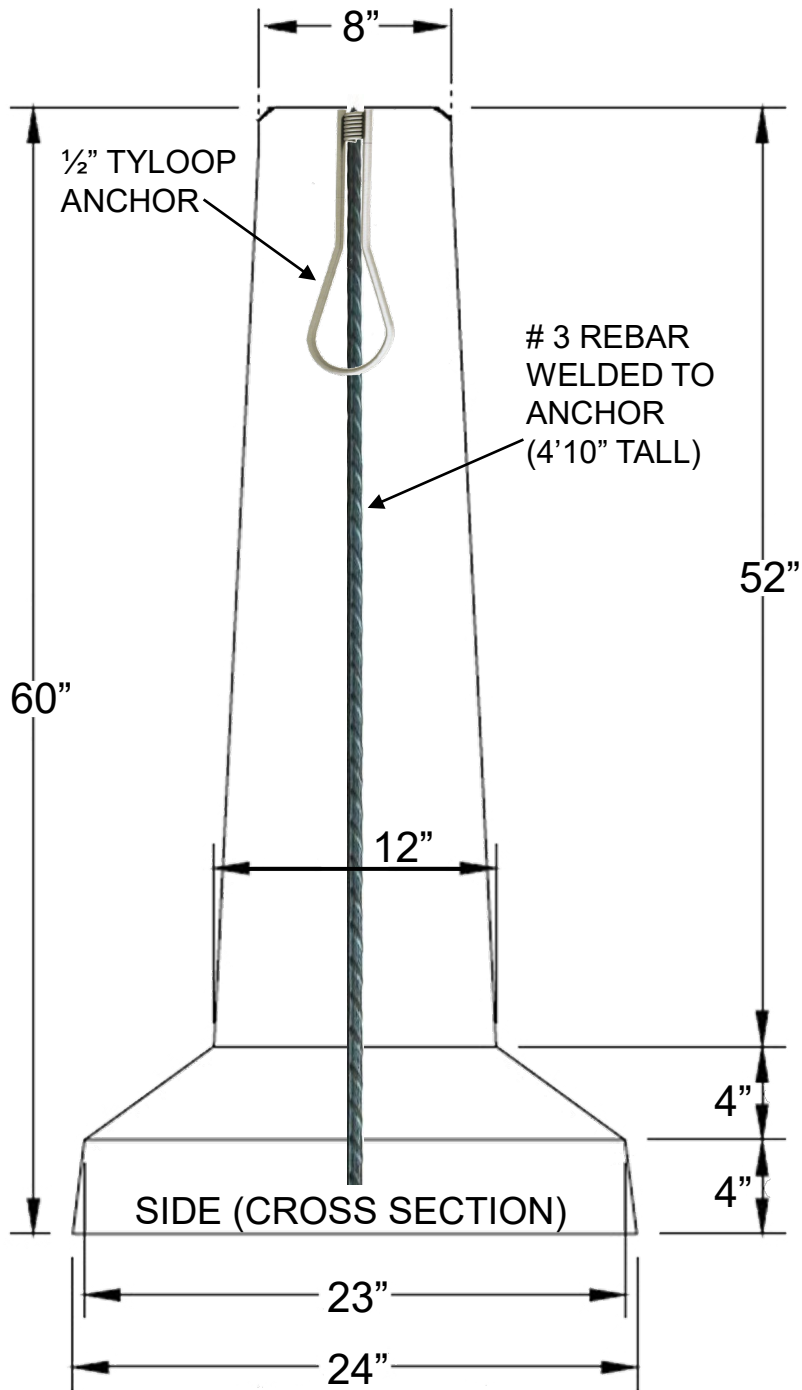



USI 5' TALL PRECAST FROST POST



NOTES:

-5,000 PSI CONCRETE AFTER 28 DAYS

USI ITEM #:	ST-FP5	 <p>UNDERGROUND SUPPLY INC. 82 STATE RD. WHATELY, MA 01093 413-397-3412 undergroundsupplyinc.com</p>
ITEM DESCRIPTION:	5' PRECAST FROST POST	
CASTING WEIGHT(S):	725 #	