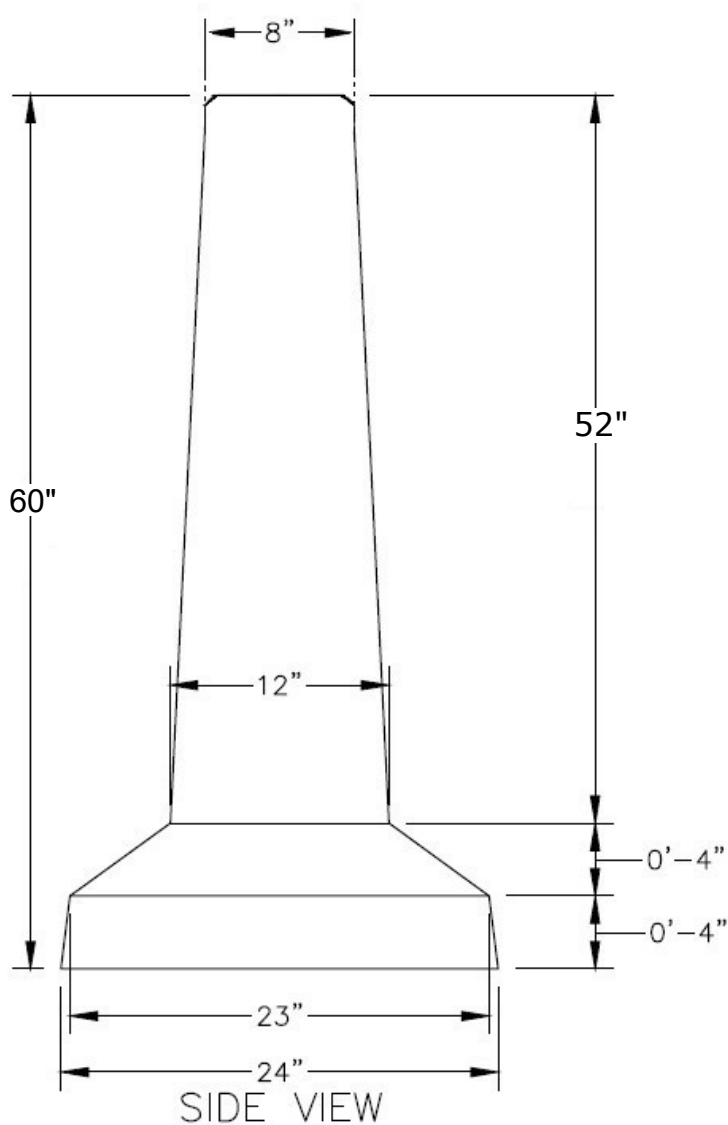
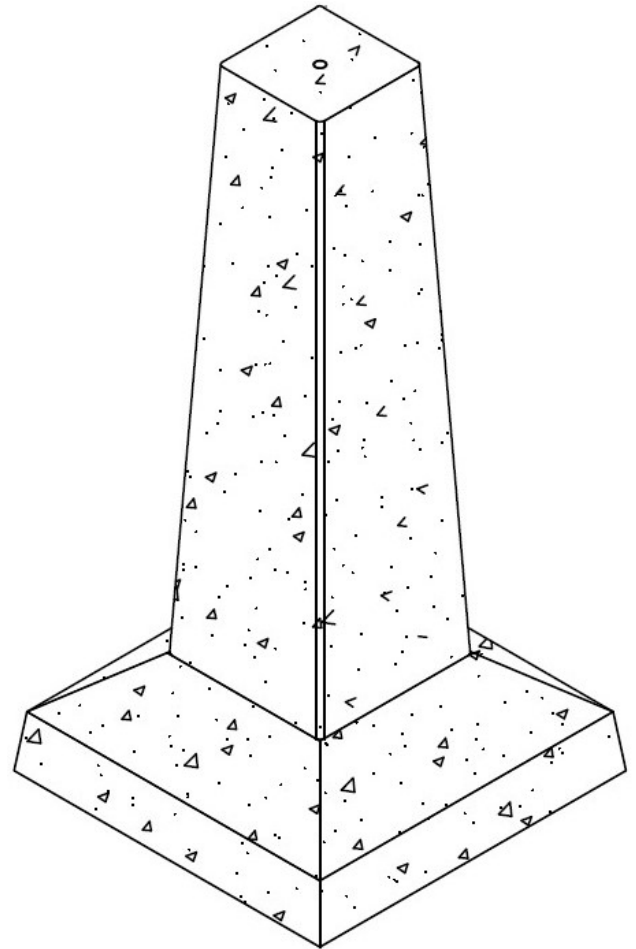


TOP VIEW



SIDE VIEW



NOTES:
-CONCRETE: 4,000 PSI MINIMUM AFTER 28 DAYS
-LIFT RING WELDED TO REBAR SUPPLIED FOR LIFTING

CASTING WEIGHT:

725#