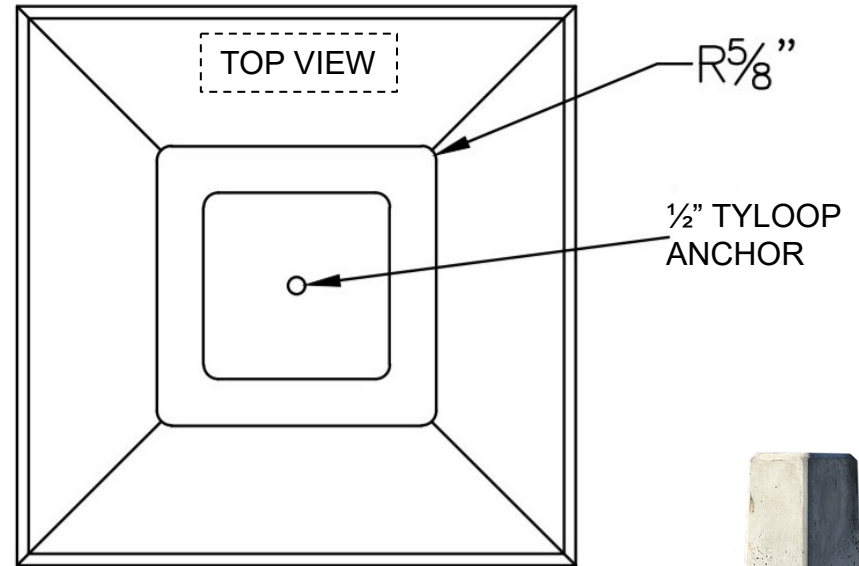
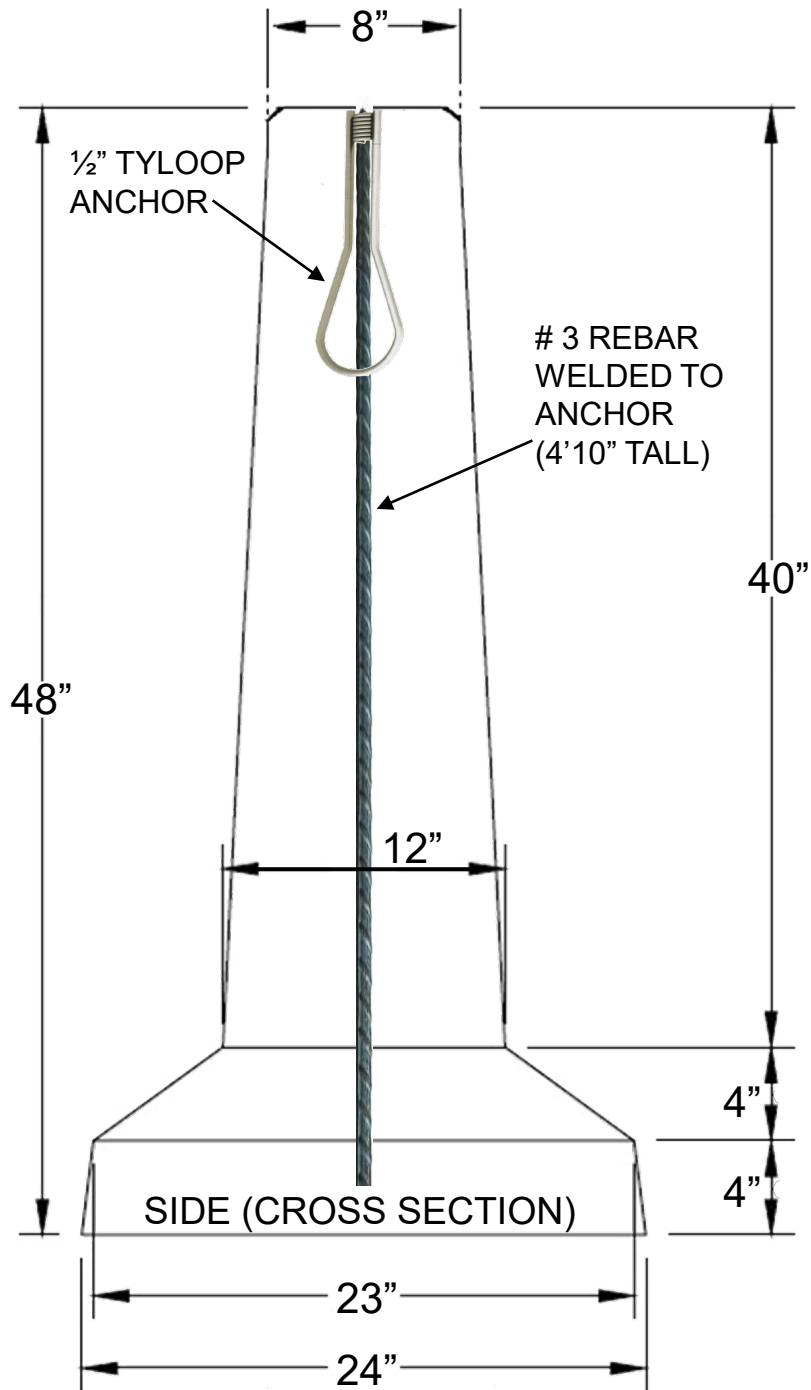


USI 4' TALL PRECAST FROST POST



NOTES:

-5,000 PSI CONCRETE AFTER 28 DAYS

USI ITEM #:

ST-FP4

ITEM DESCRIPTION:

4' PRECAST FROST POST

CASTING WEIGHT(S):

675 #

USI

UNDERGROUND SUPPLY INC.

82 STATE RD.

WHATELY, MA 01093

413-397-3412

undergroundsupplyinc.com