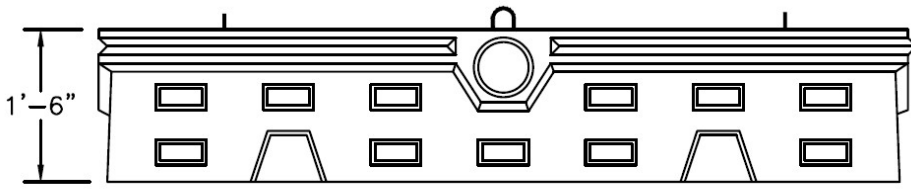
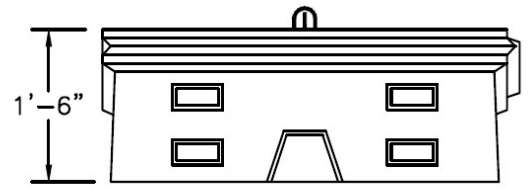


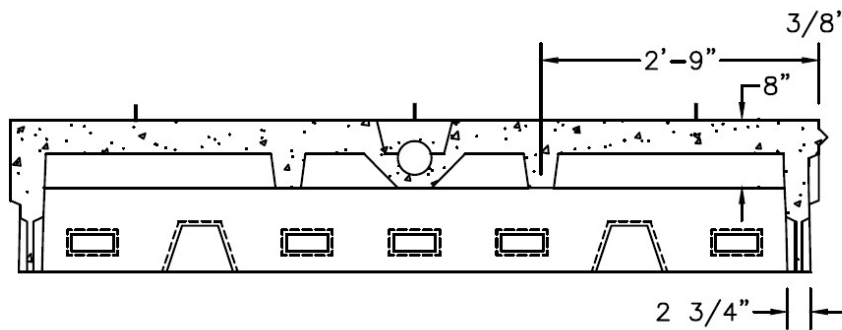
12" DIAMETER (CAST IN)
TUF-TITE RISER FOR INSPECTION



SIDE VIEW

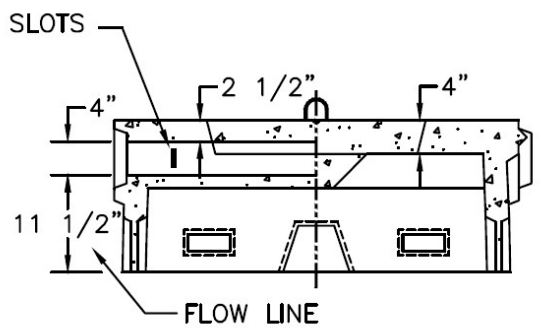


END VIEW



SIDE SECTION VIEW

AA



END SECTION VIEW

BB

NOTES:

- CONCRETE: 4,000 PSI MINIMUM AFTER 28 DAYS
- REINFORCED STEEL CONFORMS TO LATEST ASTM SPEC

CASTING WEIGHT:

3,130#