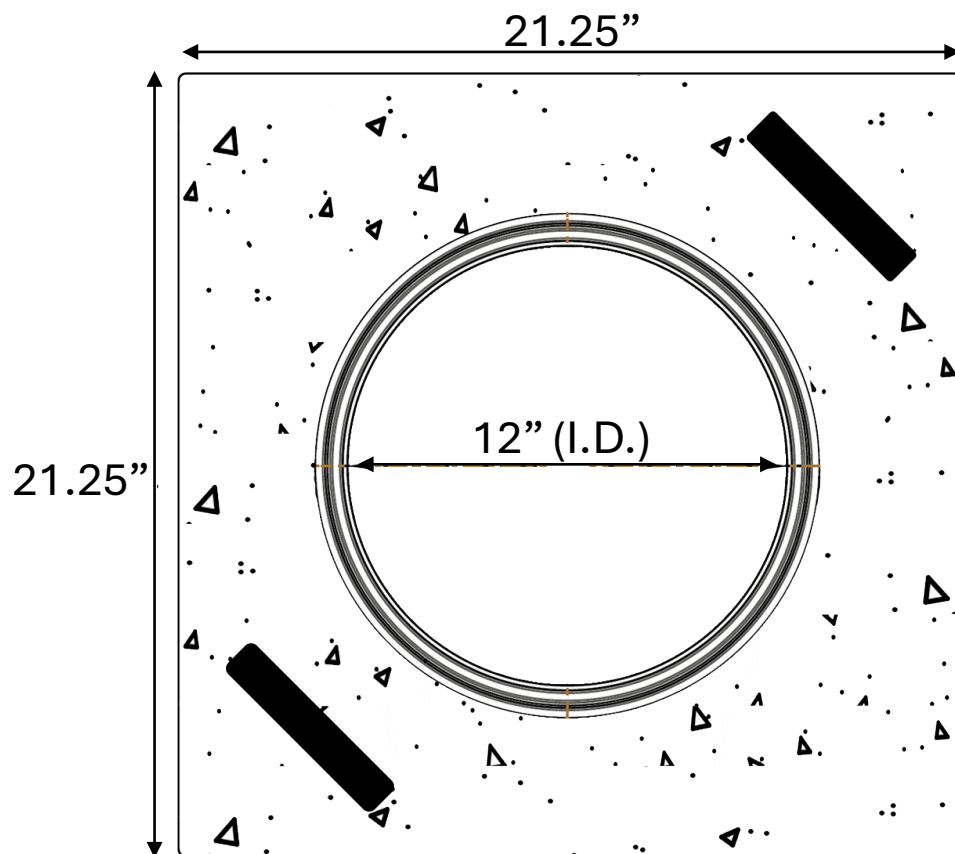
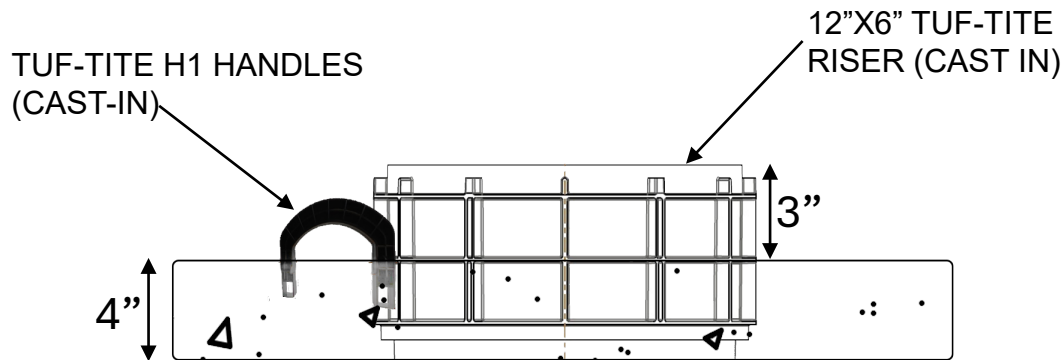
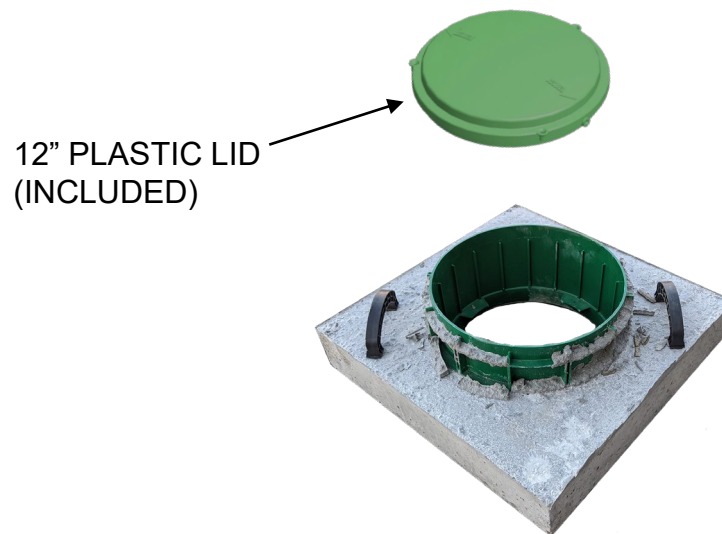


USI 7 HOLE D-BOX RISER ADAPTER

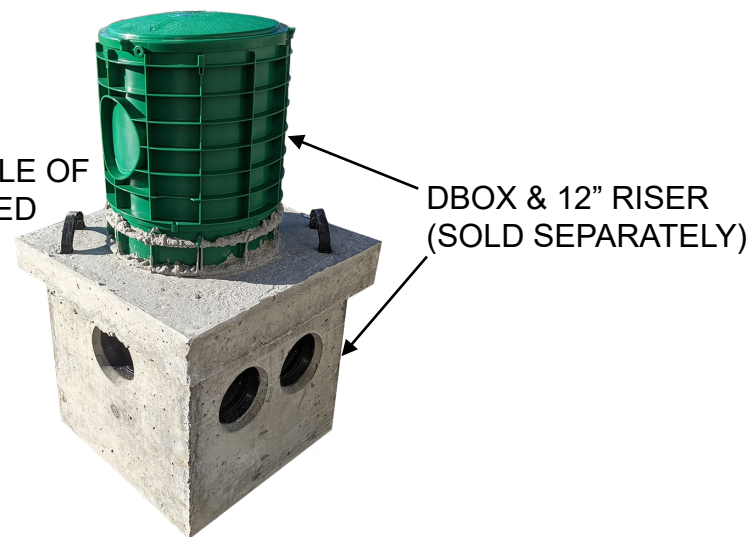



NOTES:

-5,000 PSI CONCRETE AFTER 28 DAYS.



*EXAMPLE OF INTENDED USAGE



USI ITEM #:	DBOX7A	 <p>UNDERGROUND SUPPLY INC. 82 STATE RD. WHATELY, MA 01093 413-397-3412 undergroundsupplyinc.com</p>
ITEM DESCRIPTION:	7 HOLE D-BOX RISER ADAPTER	
CASTING WEIGHT(S):	80 #	