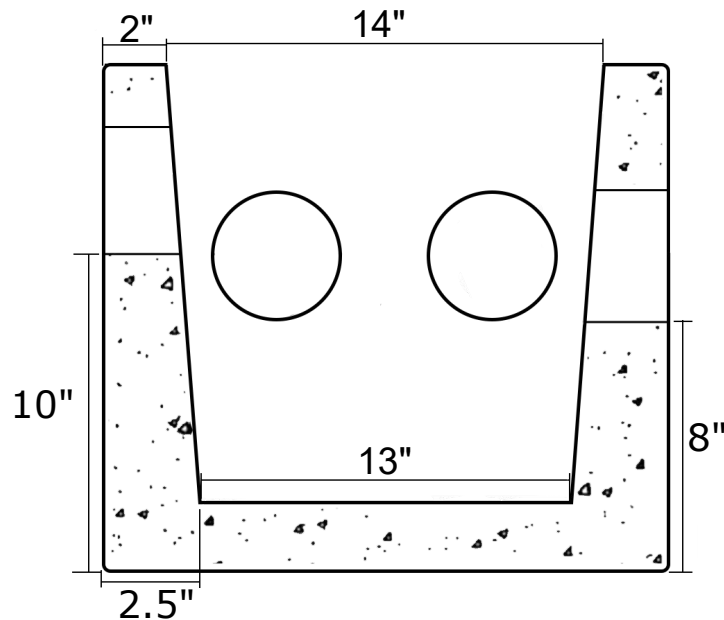


Side View



NOTES:

- CONCRETE: 4,000 PSI MINIMUM AFTER 28 DAYS
- SUMP = 6"

CASTING WEIGHTS:	NO LID - 190#
	W/LID - 245#