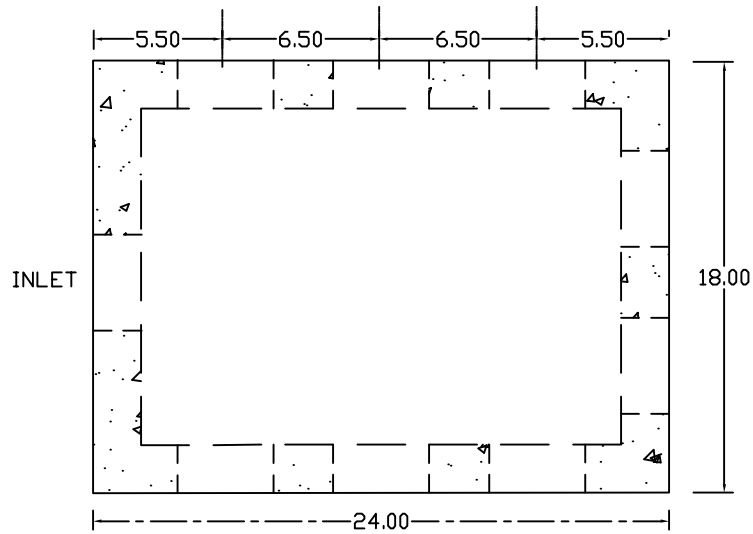
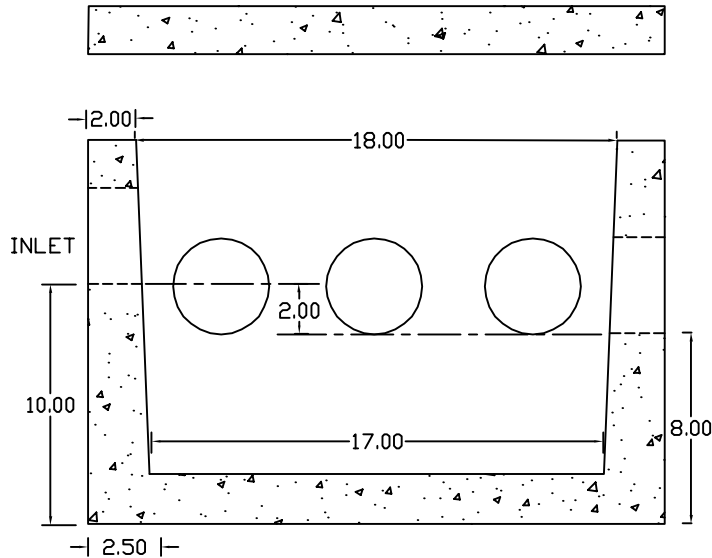


### 9 Hole Distribution Box Item# DB-9



LID = 18'x24'x2"



- NOTES:  
- CONCRETE: 4,000 PSI MINIMUM AFTER 28 DAYS  
- SUMP = 6"