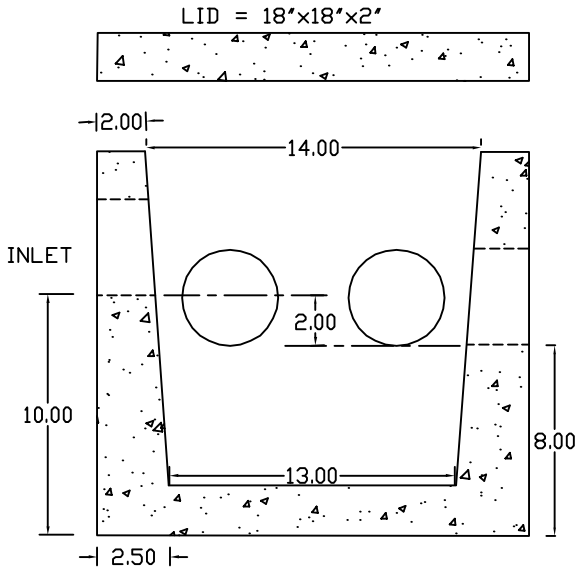
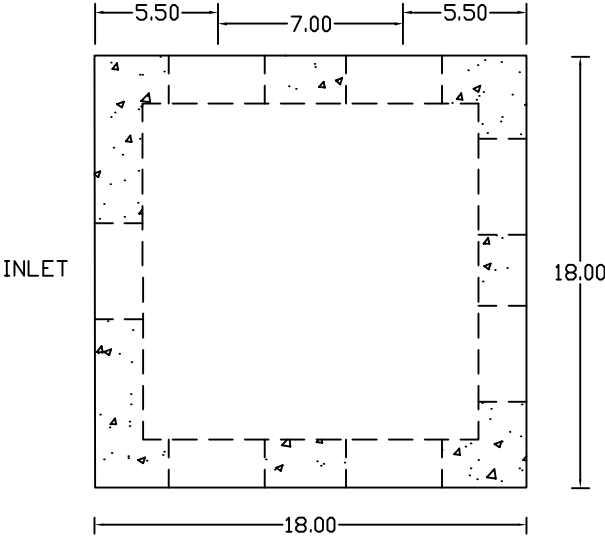


7 Hole Distribution Box  
 Item# DB-7



NOTES:  
 - CONCRETE: 4,000 PSI MINIMUM AFTER 28 DAYS  
 - SUMP = 6"