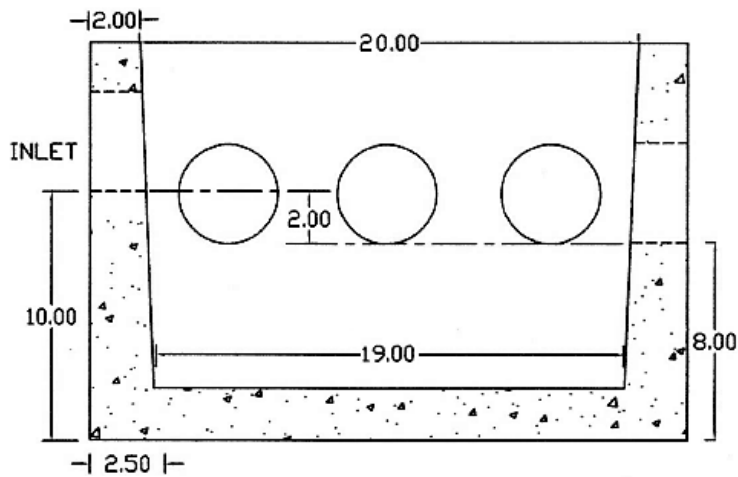
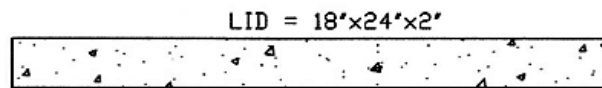
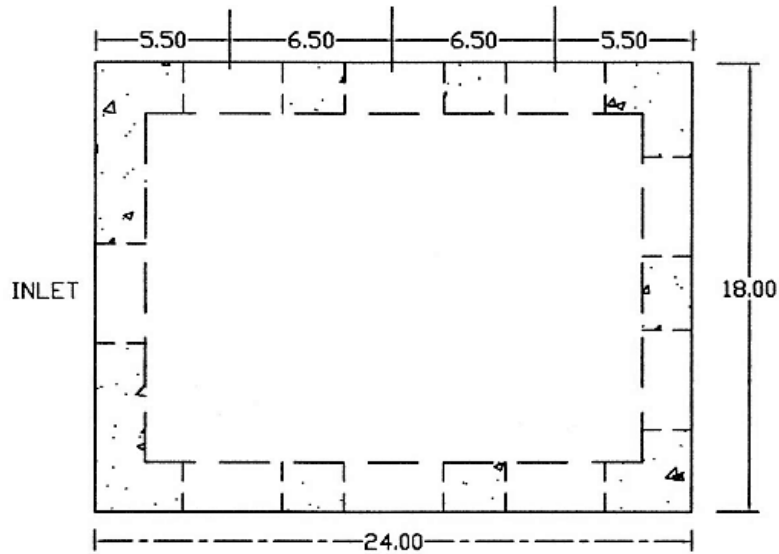


**9 Hole Distribution Box**  
**Item #: DB-9**



- NOTES:  
 -CONCRETE: 4,000 PSI MINIMUM AFTER 28 DAYS  
 -SUMP = 6"