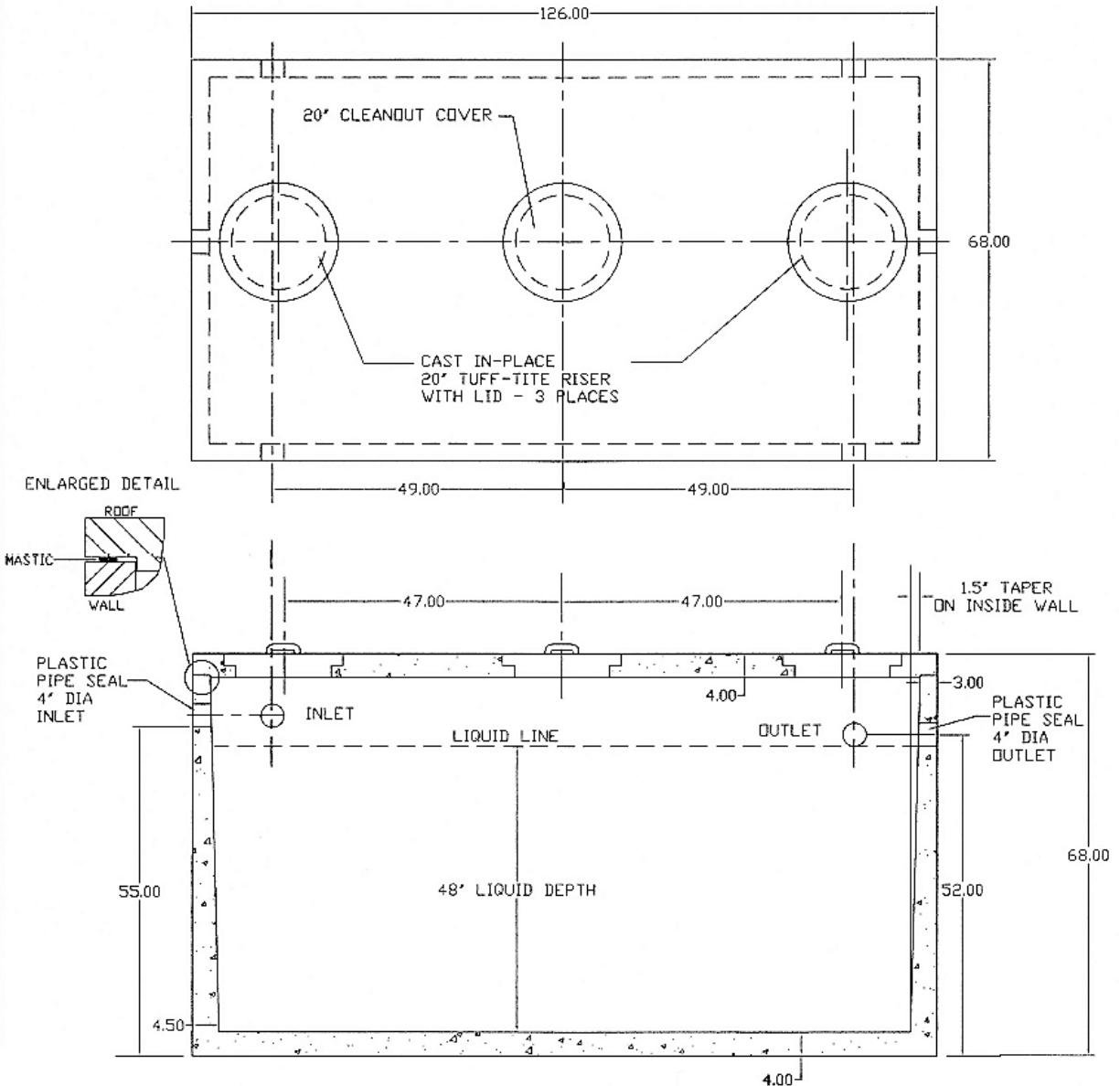


**1,500 Gallon Monolithic  
 Single Compartment Tank  
 Item #: ST-1500-M**



**NOTES:**

- CONCRETE: 4,000 PSI MINIMUM AFTER 28 DAYS
- REINFORCED STEEL CONFORMS TO LATEST ASTM SPECIFICATIONS
- 20" MANHOLES ACCEPT USI 20" X 12" RISER & TUFF-TITE 24" RISERS
- TANK WEIGHT = 12,000 LBS TOTAL
- TEES & BAFFLE SOLD SEPARATELY
- TONGUE & GROOVE JOINT SEALED WITH BUTYL RESIN