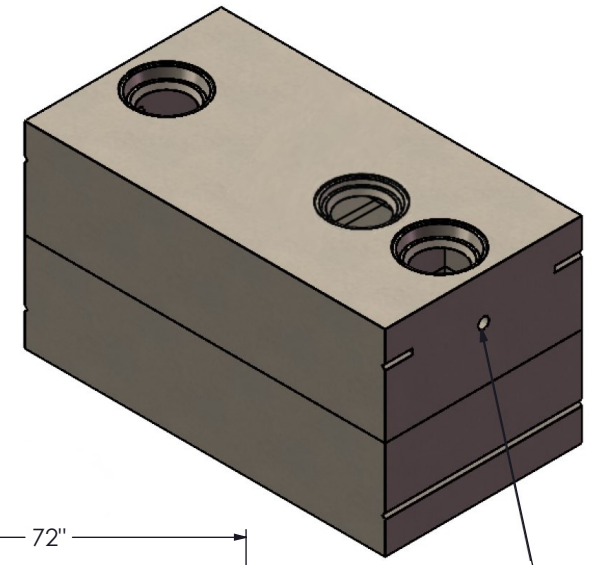
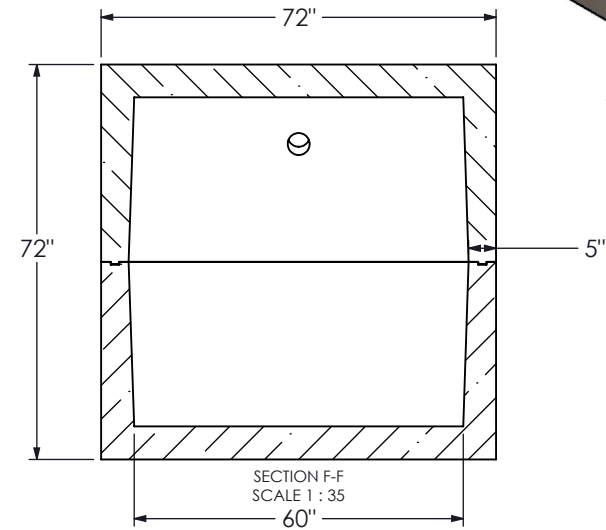
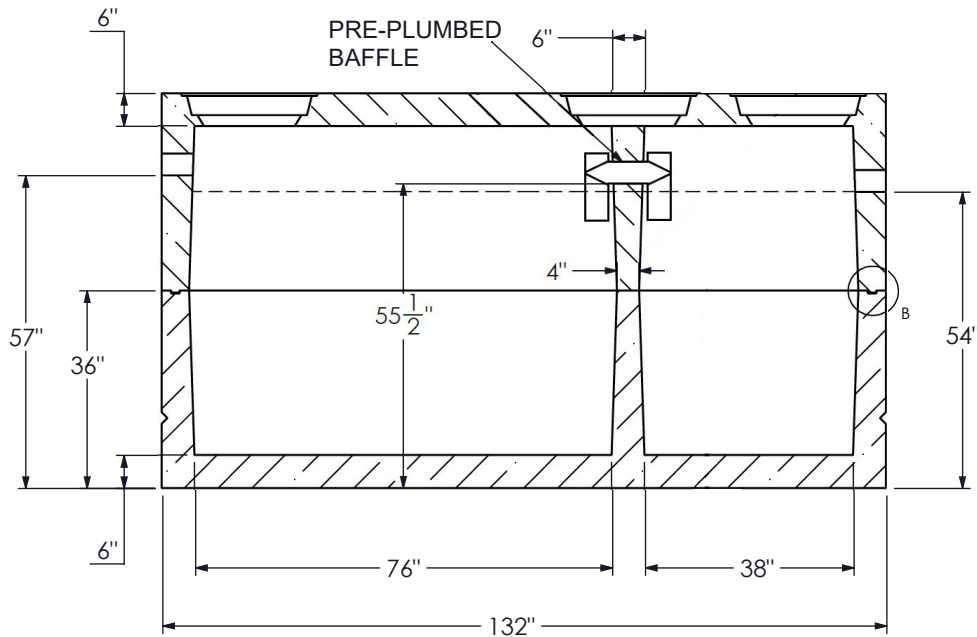


20" (I.D.) OPENINGS W/
CONCRETE COVERS
INCLUDED

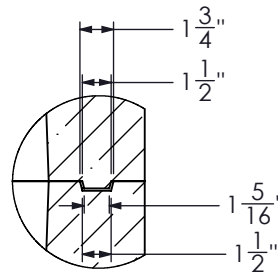
APPROX. CAPACITY: 1,500 GAL.



TUF-TITE SEALS



SECTION F-F
SCALE 1 : 35
60"



DETAIL B
SCALE 1 : 10

USI
UNDERGROUND SUPPLY INC.
82 STATE RD. WHATELY, MA 01093
413-397-3412
UNDERGROUNDSUPPLYINC.COM

MOLD & DRAWING PRODUCED & ENGINEERED BY:

NORWALK
PRECAST MOLDS INC.

P.O. Box 293 Norwalk, OH 44857
(419) 668-1639 | (800) 251-8409
sales@norwalkprecastmolds.com
www.norwalkprecastmolds.com

THIS DRAWING IS THE PROPERTY OF NORWALK PRECAST MOLDS AND MAY NOT BE COPIED OR REPRODUCED IN WHOLE OR IN PART WITHOUT WRITTEN PERMISSION FROM NORWALK PRECAST MOLDS.

<p>CASTING WEIGHTS - TOP - APPROX. 10,750# EA. - BOTTOM - APPROX. 11,250# EA. - TOTAL - 22,000# EA.</p>	
<p>DRAWN BY CWB</p>	<p>DATE 11/17/21</p>
<p>DESCRIPTION: 1,500 GAL. 2 PIECE SEPTIC TANK</p>	

REV. DATE	REVISION: C

1,500 GAL. H-20 TWO COMPARTMENT SEPTIC TANK

USI ITEM NUMBER:
ST1500H202C