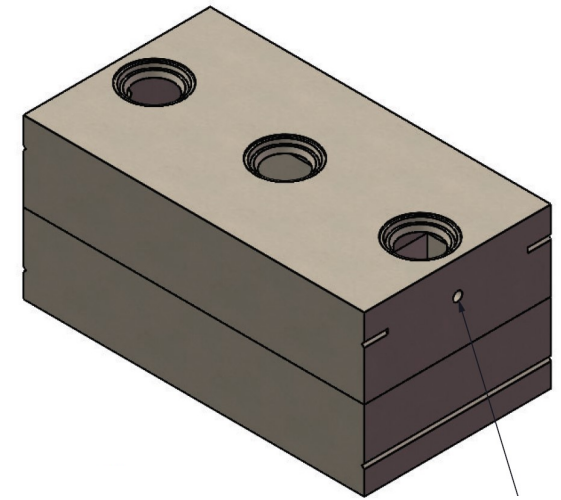
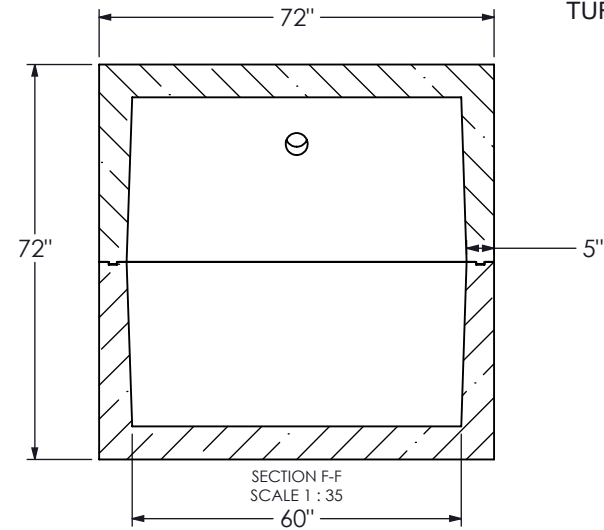
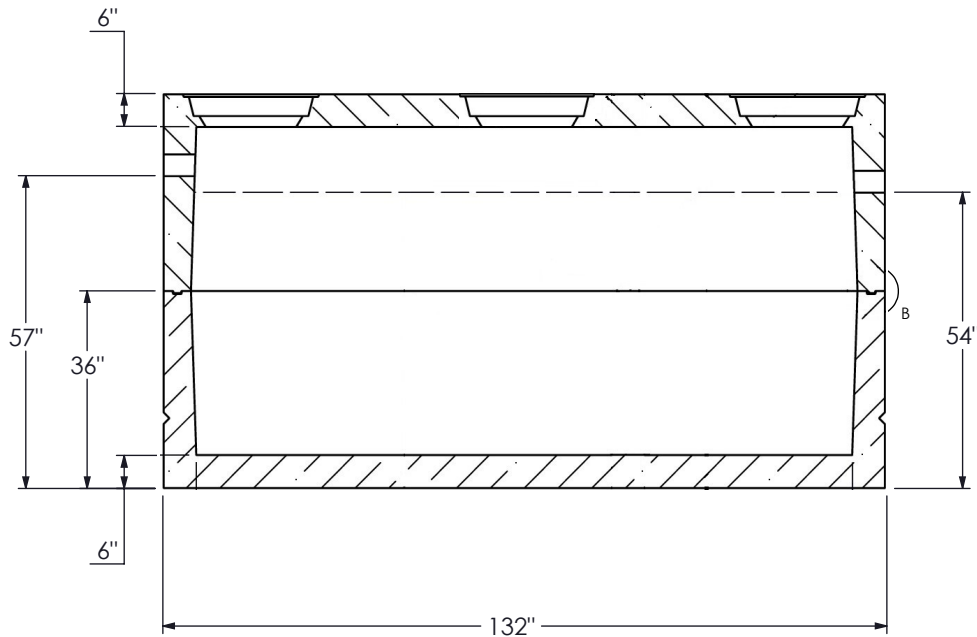


20" (I.D.) OPENINGS WITH
CONCRETE COVERS
INCLUDED

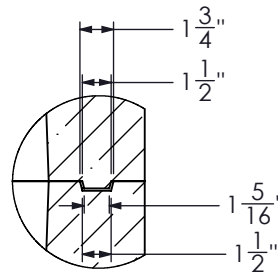
APPROX. CAPACITY: 1,500 GAL.



TUF-TITE SEALS



SECTION F-F
SCALE 1 : 35
60"



DETAIL B
SCALE 1 : 10

1,500 GAL. H-20 SINGLE COMPARTMENT SEPTIC TANK

 <p>UNDERGROUND SUPPLY INC. 82 STATE RD. WHATLEY, MA 01093 413-397-3412 UNDERGROUNDSUPPLYINC.COM</p>	<p>MOLD & DRAWING PRODUCED & ENGINEERED BY:</p> <p>NORWALK PRECAST MOLDS INC. P.O. Box 293 Norwalk, OH 44857 (419) 668-1639 (800) 251-8409 sales@norwalkprecastmolds.com www.norwalkprecastmolds.com</p>												
	<p>THIS DRAWING IS THE PROPERTY OF NORWALK PRECAST MOLDS AND MAY NOT BE COPIED OR REPRODUCED IN WHOLE OR IN PART WITHOUT WRITTEN PERMISSION FROM NORWALK PRECAST MOLDS.</p>												
<p>CASTING WEIGHTS - TOP - APPROX. 10,250# EA. - BOTTOM - APPROX. 11,000# EA. - TOTAL - 21,500# EA.</p>	<table border="1"> <thead> <tr> <th>REV. DATE</th> <th>REVISION: C</th> </tr> </thead> <tbody> <tr><td> </td><td> </td></tr> <tr><td> </td><td> </td></tr> <tr><td> </td><td> </td></tr> <tr><td> </td><td> </td></tr> <tr><td> </td><td> </td></tr> </tbody> </table>	REV. DATE	REVISION: C										
REV. DATE	REVISION: C												
<p>DRAWN BY: CWB</p>	<p>DATE: 11/17/21</p>	<p>USI ITEM NUMBER: ST1500H201C</p>											
<p>DESCRIPTION: 1,500 GAL. H-20 2 PC. SEPTIC TANK</p>		<p> </p>											