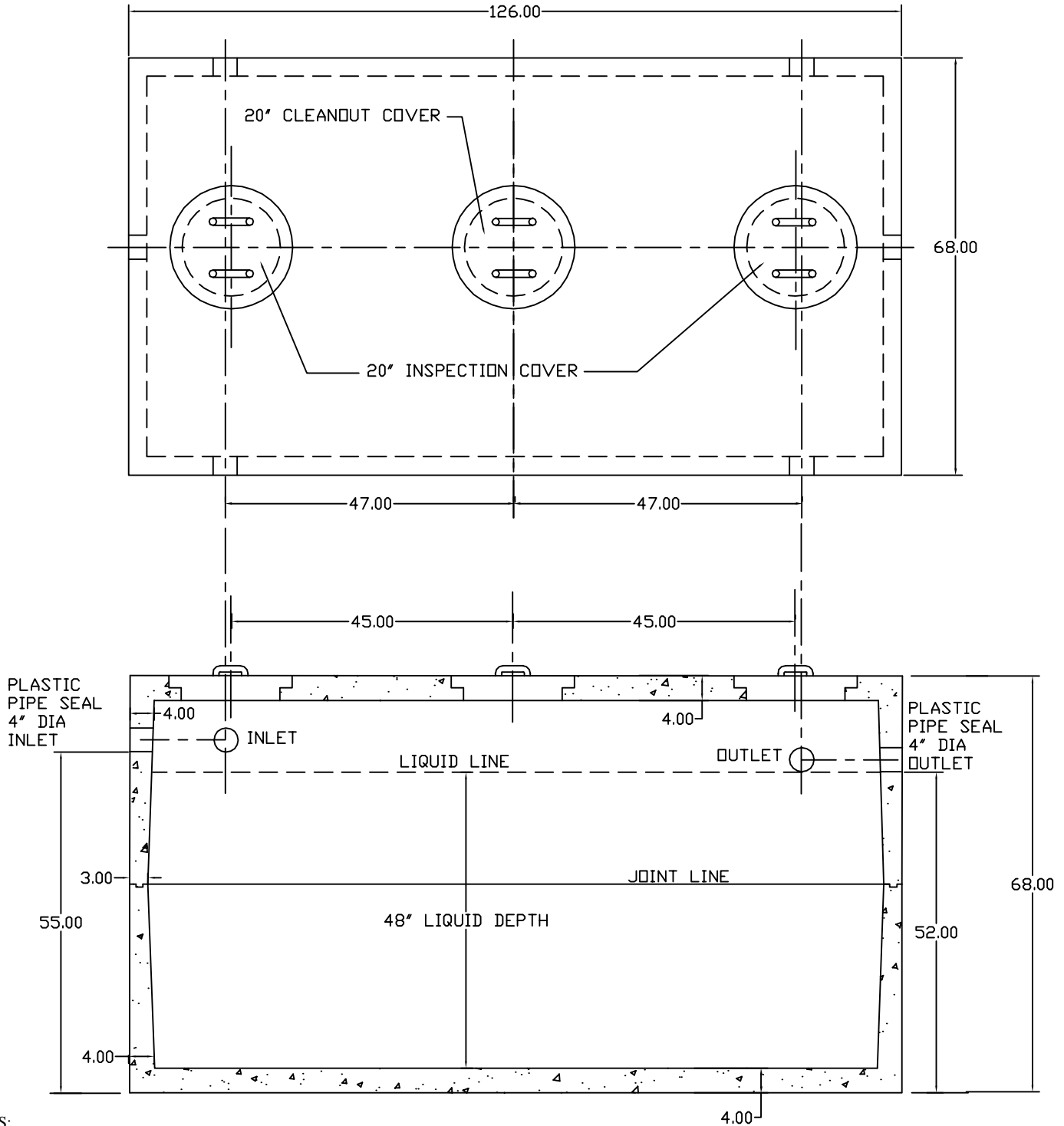


1500 Gallon Mid-Seam
Single Compartment Tank
Item# ST-1500



- NOTES:
- CONCRETE: 4,000 PSI MINIMUM AFTER 28 DAYS
 - REINFORCED STEEL CONFORMS TO LATEST ASTM SPECIFICATION
 - 20" MANHOLES ACCEPT U.S.I. 20" x 12" RISER AND TUFF-TITE 20" RISERS
 - TANK WEIGHT =12,600 LBS TOTAL
 - TEES AND BAFFLE SOLD SEPARATELY
 - TONGUE & GROOVE JOINT SEALED WITH BUYTL RESIN