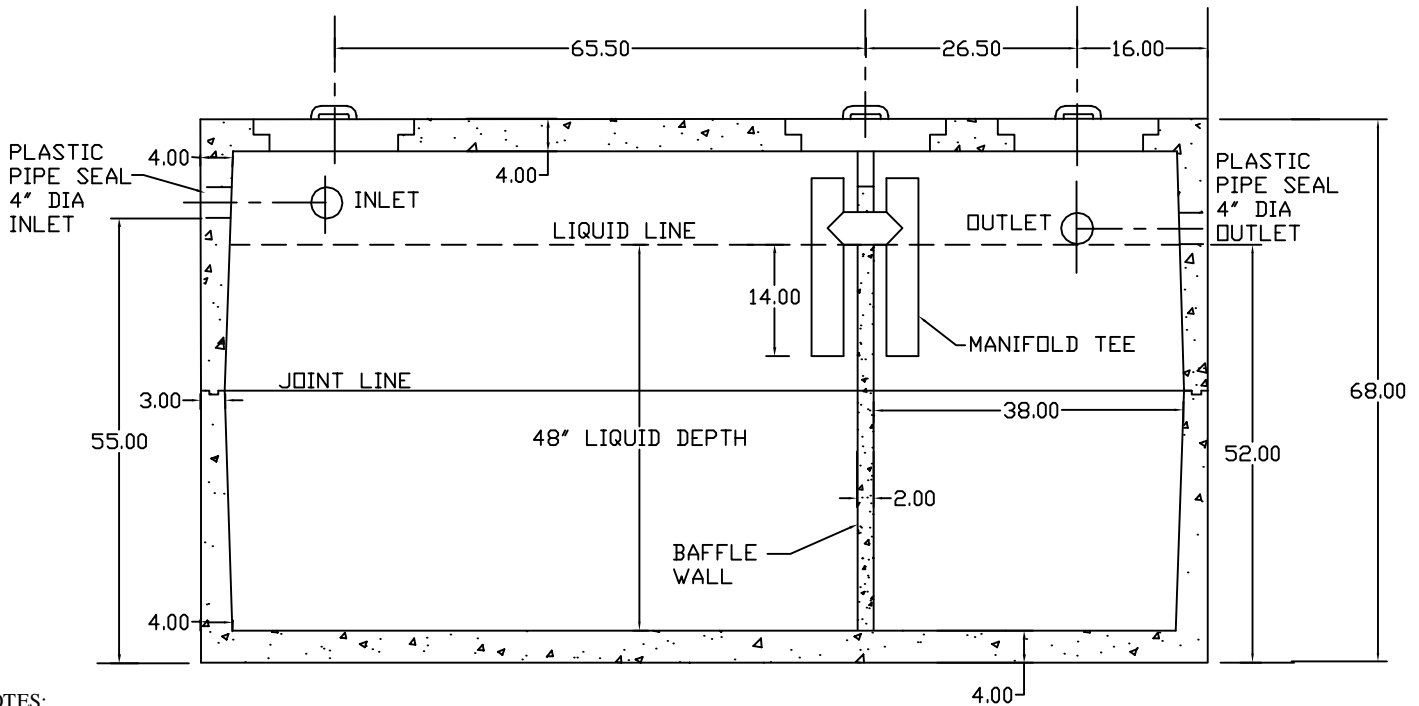
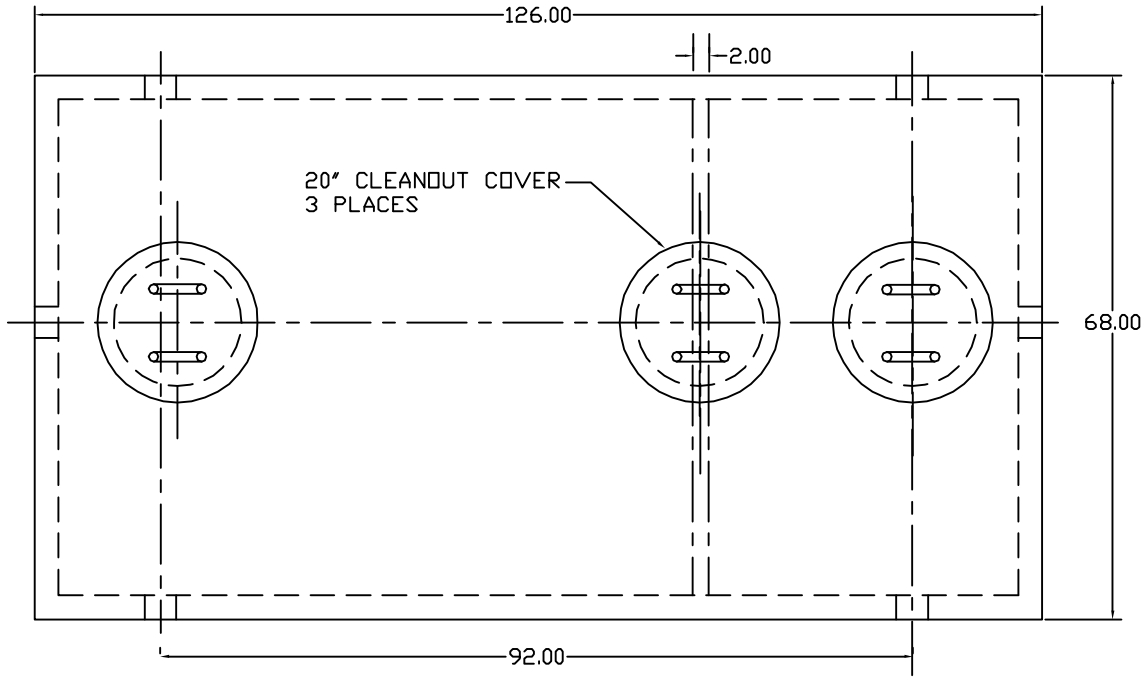


1500 Gallon Mid-Seam  
Double Compartment Tank  
Item# ST-1500-2C



NOTES:

- CONCRETE: 4,000 PSI MINIMUM AFTER 28 DAYS
- REINFORCED STEEL CONFORMS TO LATEST ASTM SPECIFICATION
- 20" MANHOLES ACCEPT U.S.I. 20" x 12" RISER AND TUFF-TITE 20" RISERS
- TANK WEIGHT = 12,930 LBS TOTAL
- TEES AND BAFFLE SOLD SEPARATELY
- TONGUE & GROOVE JOINT SEALED WITH BUYTL RESIN