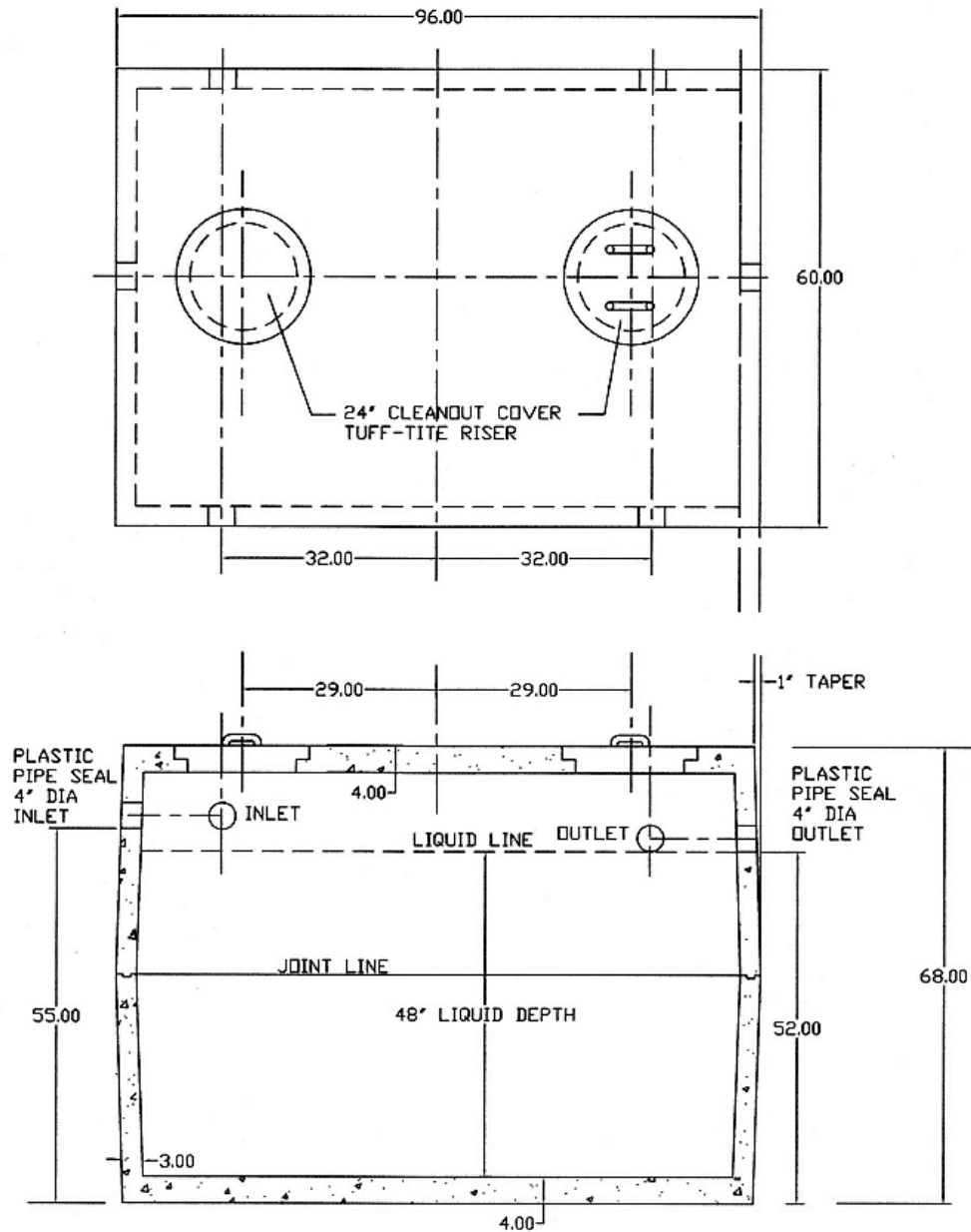


**1,000 Gallon Mid-Seam
 Pump Chamber/Septic Tank
 Item #: ST-1000**



NOTES:

- CONCRETE: 4,000 PSI MINIMUM AFTER 28 DAYS
- REINFORCED STEEL CONFORMS TO LATEST ASTM SPECIFICATIONS
- TANK WEIGHT = 8,765 LBS TOTAL
- TEES & BAFFLE SOLD SEPARATELY
- TONGUE & GROOVE JOINT SEALED WITH BUTYL RESIN