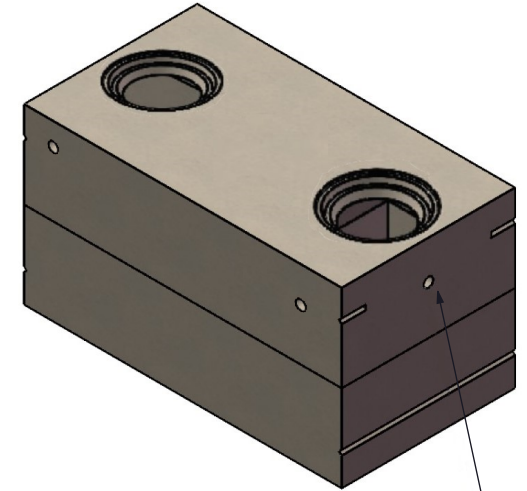
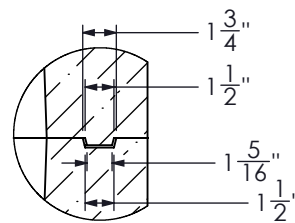
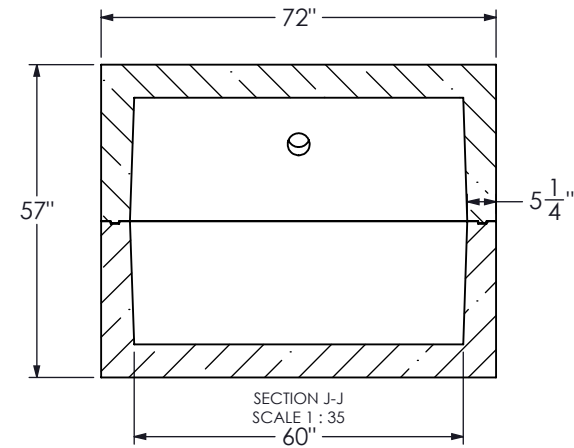
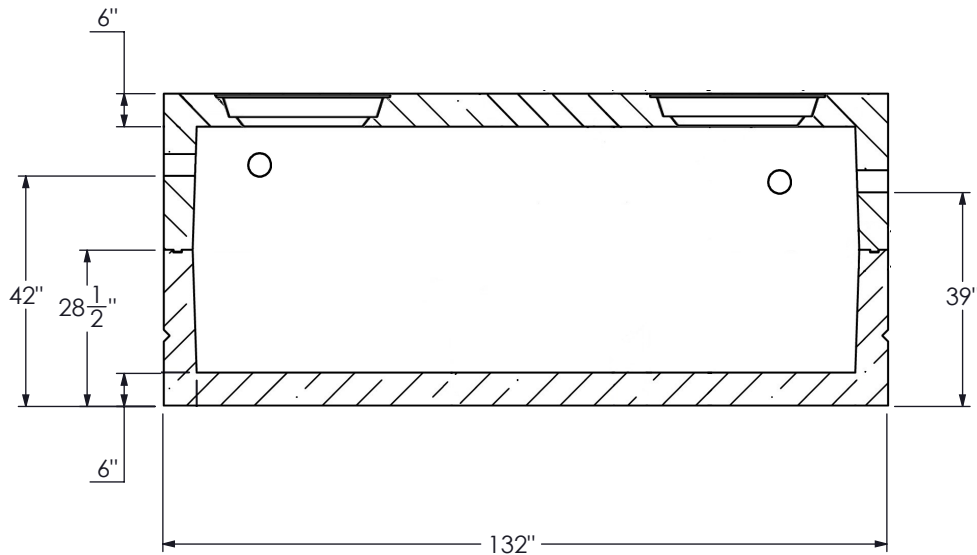


24" (I.D.) OPENINGS WITH
CONCRETE COVERS
INCLUDED


APPROX. CAPACITY: 1,000 GAL.



TUF-TITE SEALS



DETAIL I
SCALE 1 : 10

 <p>UNDERGROUND SUPPLY INC. 82 STATE RD. WHATLEY, MA 01093 413-397-3412 UNDERGROUNDSUPPLYINC.COM</p>	<p>MOLD & DRAWING PRODUCED & ENGINEERED BY:</p> <p>NORWALK PRECAST MOLDS INC. P.O. Box 293 Norwalk, OH 44857 (419) 668-1639 (800) 251-8409 sales@norwalkprecastmolds.com www.norwalkprecastmolds.com</p>	
	<p>THIS DRAWING IS THE PROPERTY OF NORWALK PRECAST MOLDS AND MAY NOT BE COPIED OR REPRODUCED IN WHOLE OR IN PART WITHOUT WRITTEN PERMISSION FROM NORWALK PRECAST MOLDS.</p>	
<p>CASTING WEIGHTS - TOP - APPROX. 9,070# EA. - BOTTOM - APPROX. 9,480# EA. - TOTAL - 18,650# EA.</p>		
<p>DRAWN BY CWB</p>	<p>DATE 11/17/21</p>	
<p>DESCRIPTION: 1,000 GAL. 2 PIECE HEAVY LOW BOY</p>		<p>USI ITEM NUMBER: ST1000PCHLB</p>

1,000 GAL. PUMP CHAMBER HEAVY LOW BOY