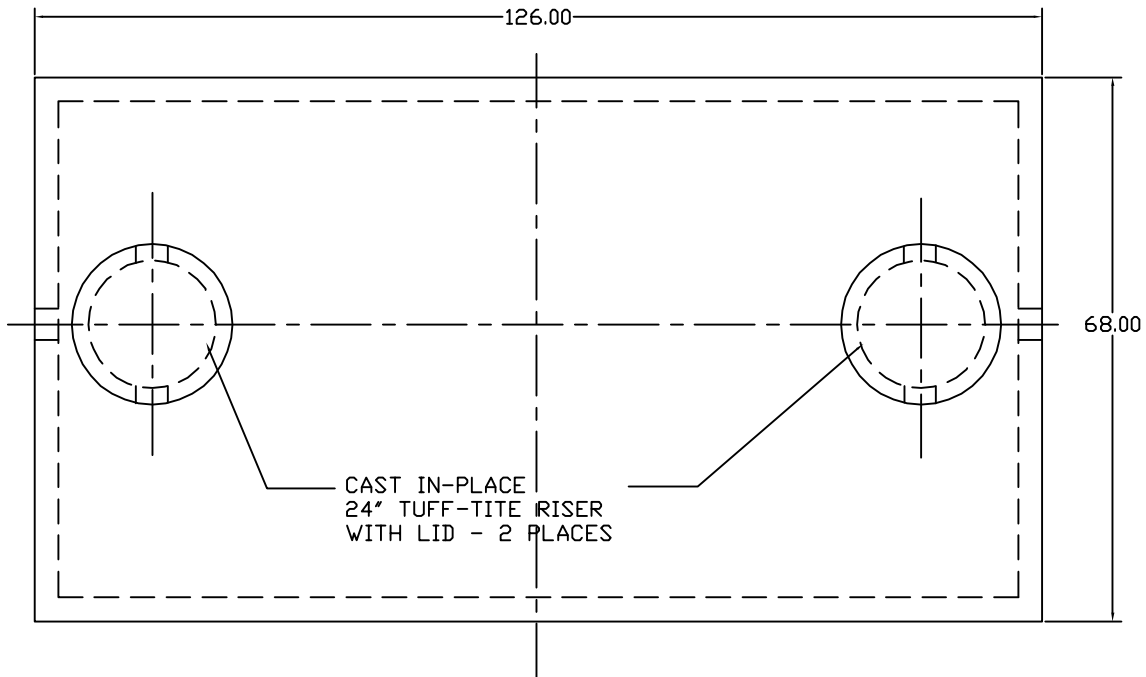
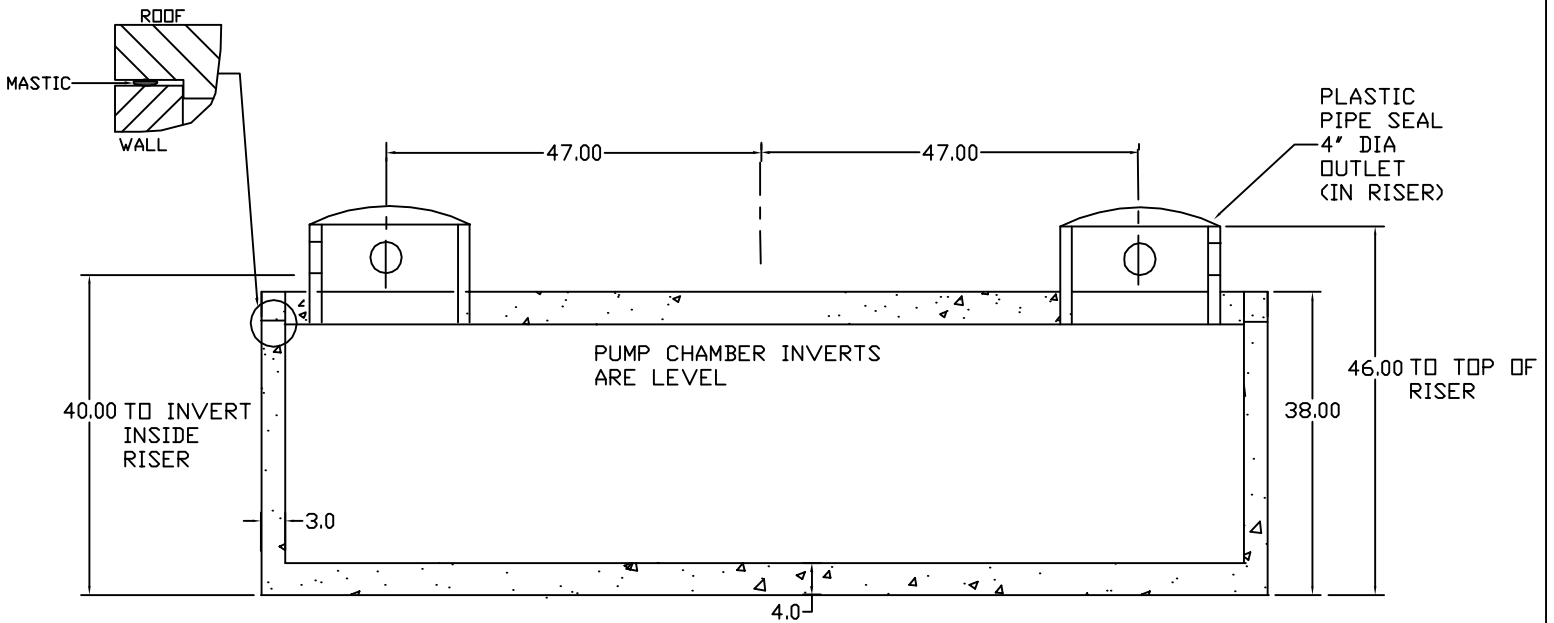


1000 Gallon Monolithic Ledge
Pump Chamber
Item# PC-1000-LTM



ENLARGED DETAIL



NOTES:

- CONCRETE: 4,000 PSI MINIMUM AFTER 28 DAYS
- REINFORCED STEEL CONFORMS TO LATEST ASTM SPECIFICATION
- 24" MANHOLES ACCEPT TUFF-TITE 24" RISERS
- TANK WEIGHT = 10,120 LBS TOTAL
- TEES AND BAFFLE SOLD SEPARATELY
- TONGUE & GROOVE JOINT SEALED WITH BUYTL RESIN