

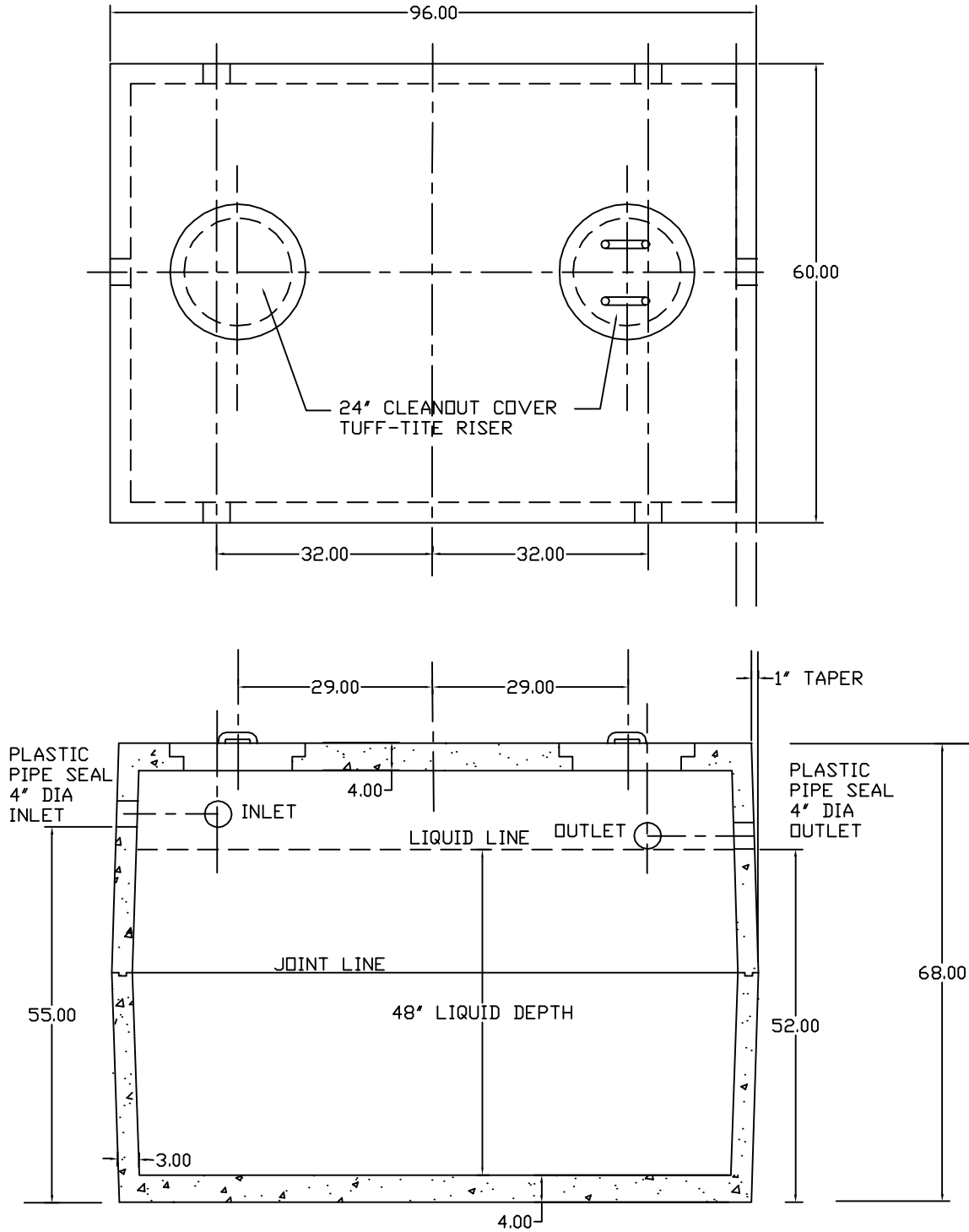
Underground  
Supply  
Incorporated



Precast  
Concrete  
Products

Underground Supply Inc.  
574 Haydenville Road  
Leeds, MA 01053  
Phone: 413-584-5255  
Toll Free: 800-350-5055  
Fax: 413-584-9763  
www.undergroundsupplyinc.com

# 1000 Gallon Mid-Seam Pump Chamber/Septic Tank Item# ST-1000



- NOTES:
- CONCRETE: 4,000 PSI MINIMUM AFTER 28 DAYS
  - REINFORCED STEEL CONFORMS TO LATEST ASTM SPECIFICATION
  - TANK WEIGHT = 8,765 LBS TOTAL
  - TEES AND BAFFLE SOLD SEPARATELY
  - TONGUE & GROOVE JOINT SEALED WITH BUYTL RESIN